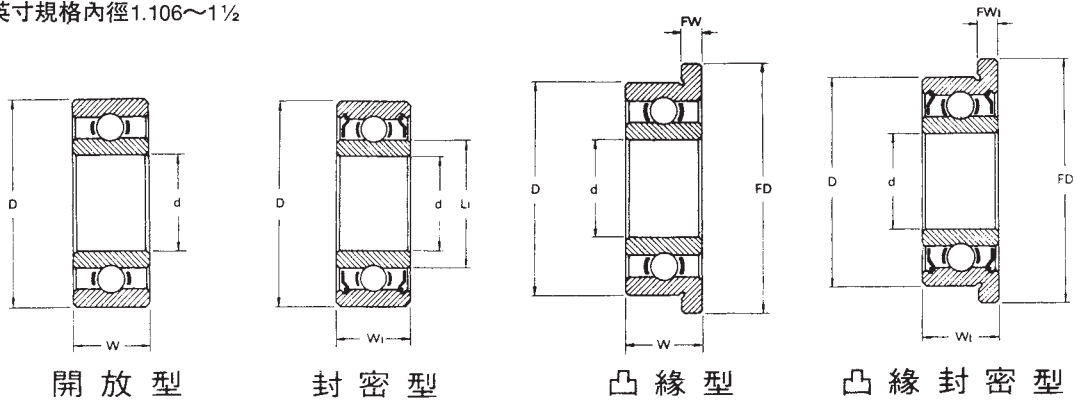


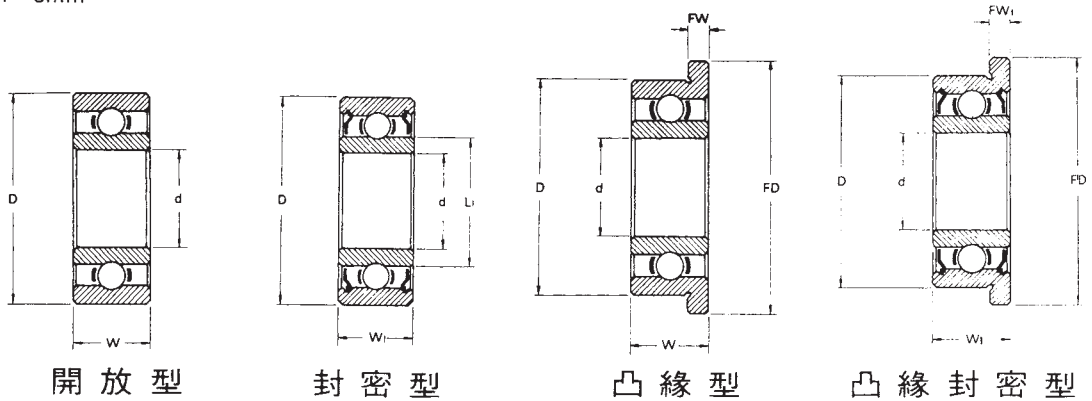
迷你型軸承

英寸規格內徑1.106~1½



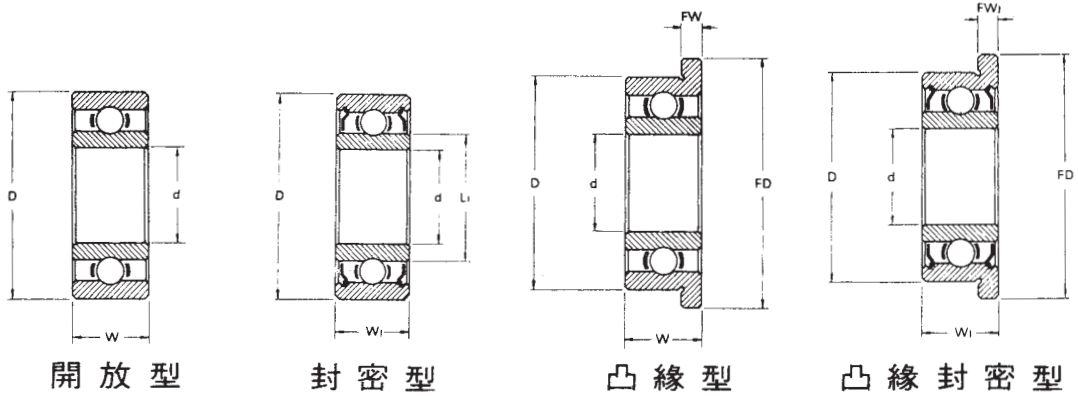
主要寸法							型號	凸緣型號		
d	D	W	W1	FD	FW	FW1				
1.016	1/8	1.1913	-	-			RI-2	-	-	
1.397	3/16	5/64	7/64	5.944	0.584	0.787	RI-3	RI-3ZZ	RIF-3	RIF-3ZZ
5/64	1/4	3/32	3.57	7.518	0.584	0.787	RI-4	RI-4ZZ	RIF-4	RIF-4ZZ
3/32	3/16	1/16	3/32	5.944	0.457	0.787	RI-3332	RI-3332ZZ	RIF-3332	RIF-3332ZZ
3/32	5/16	2.78	3.57	9.119	0.584	0.787	RI-5	RI-5ZZ	RIF-5	RIF-5ZZ
1/8	1/4	3/32	7/64	7.518	0.584	0.787	RI-418	RI-418ZZ	RIF-418	RIF-418ZZ
1/8	5/16	7/64	9/64	9.119	0.584	0.787	RI-518	RI-518ZZ	RIF-518	RIF-518ZZ
1/8	3/8	7/64	9/64	10.719	0.584	0.787	RI-618	RI-618ZZ	RIF-618	RIF-618ZZ
1/8	3/8	5/32	5/32	11.176	0.762	0.762	R-2	R-2ZZ	RF-2	RF-2ZZ
5/32	5/16	7/64	1/8	9.119	0.584	0.914	RI-5532	RI-5532ZZ	RIF-5532	RIF-5532ZZ
3/16	5/16	7/64	1/8	9.119	0.584	0.914	RI-5632	RI-5632ZZ	RIF-5632	RIF-5632ZZ
3/16	3/8	1/8	1/8	10.719	0.584	0.789	RI-6632	RI-6632ZZ	RIF-6632	RIF-6632ZZ
3/16	1/2	5/32	5mm	14.351	1.067	1.067	R-3	R-3ZZ	RF-3	RF-3ZZ
3/16	1/2	5mm					RA-3			
1/4	3/8	1/8	1/8	10.719	0.584	0.914	RI-614	RI-614ZZ	RIF-614	RIF-614ZZ
1/4	1/2	1/8	3/16	13.894	0.584	1.143	RI-814	RI-814ZZ	RIF-814	RIF-814ZZ
1/4	5/8	5mm	5mm	17.526	1.067	1.067	R-4	R-4ZZ	RF-4	RF-4ZZ
1/4	3/4	7/32	9/32				RI-1214	RI-1214ZZ		
5/16	1/2	5/32	5/32	13.894	0.787	0.787	RI-8516	RI-8516ZZ	RIF-8516	RIF-8516ZZ
3/8	7/8	7/32	9/32	24.613		1.575	R-6	R-6ZZ		RF-6ZZ
1/2	1 1/8	1/4	5/16				R-8	R-8ZZ		
5/8	1 3/8	9/32	11/32				R-10	R-10ZZ		
3/4	1 5/8	5/16	7/16				R-12	R-12ZZ		
7/8	1 7/8	3/8	1/2				R-14	R-14ZZ		
1"	2"	3/8	1/2				R-16	R-16ZZ		
1 1/8	2 1/8	3/8	1/2				R-18	R-18ZZ		
1 1/4	2 1/4	3/8	1/2				R-20	R-20ZZ		
1 3/8	2 1/2	7/16	9/16				R-22	R-22ZZ		
1 1/2	2 5/8	7/16	9/16				R-24	R-24ZZ		

迷你型軸承
內徑1~3mm



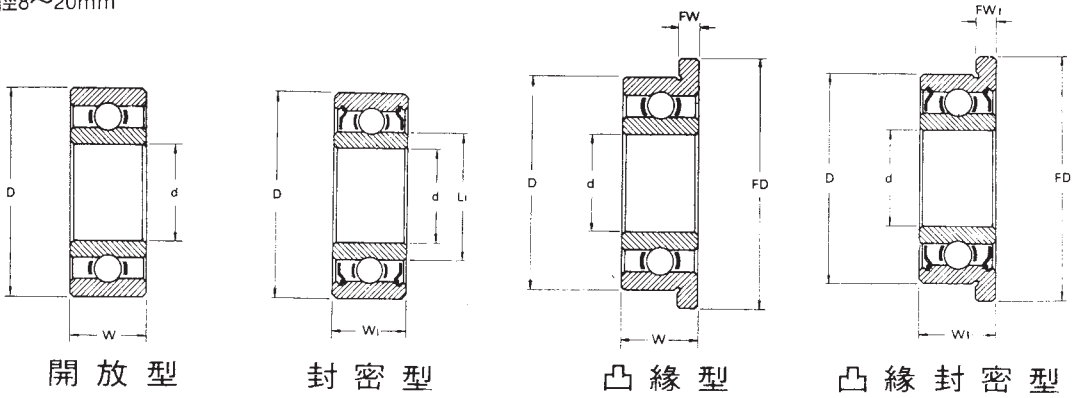
主要寸法							型號		凸緣型號	
d	D	W	W1	FD	FW	FW1				
1	3	1	-	3.8	0.3		L-310		LF310	
	3	1.5	-				L-310w51			
	4	1.6	-				R-410			
1.2	4	1.8	-	4.8	0.4		R-412		RF-412	
	1.5	4	1.2	2	5.0	0.4	L-415	L-415zz	LF-415	
4		1.8	2.5				L-415w81	L-415zzw52		
2	5	2	2.6	6.5	0.6	0.8	R-515	R-515zz	RF-515	RF-515zz
	6	2.5	3	7.5	0.6	0.8	R-615	R-615zz	RF-615	RF-615zz
	2.5	5	1.5	2.3	6.1	0.5	0.6	L-520	L-520zz	LF-520
5		2	2.5				L-520w02	L-520zzw52		
2	5	2.5	-				L-520w52			
	6	2.3	3	7.5	0.6	0.8	R-620	R-620zz	RF-620	RF620zz
	6	2.5	2.5	7.2	0.6	0.6	R-620w52	R-620zzy52	RF-620w52	RF-620zzy52
	6	2.5	2.3				R-620w52	R-620xzzy32		
	7	2.8	3.5	8.5	0.7	0.9	R-720	R-720zz	RF-720	RF-720zz
	7	2.5	3	8.2	0.6	0.6	R-720y52	R-720zzy03	RF-720y52	RF-720zzy03
	2.5	6	1.8	2.6	7.1	0.5	0.8	L-625	L-625zz	LF-625
7		2.5	3.5	8.5	0.7	0.7	R-725	R-725zz	RF-725	RF-725zz
7		-	3	8.2		0.6		R-725zzy03		RF-725zzy03
8		2.8	4	9.5	0.7	0.9	R-825	R-825zz	RF-825	RF-825zz
8		2.5	2.8	9.2	0.6	-	R-825y52	R-825zzy82	RF-825y52	
3	6	2	2.5	7.2	0.6	0.6	L-630	L-630zz	LF-630	LF-630zz
	7	2	3	8.1	0.5	0.8	L-730	L-730zz	LF-730	LF-730zz
	8	3	4	9.5	0.7	0.9	R-830	R-830zz	RF-830	RF-830zz
	8	2.5	3	9.2	0.6	-	R-830y52	R-830zzy03	RF-830y52	-
	8	-	3.5				-	R-830zzy53	-	-
	9	3	5	10.5	0.7	1.0	R-930	R-930zz	RF-930	RF-930zz
	9	2.5	4	10.2	0.6		R-930y52	R-930zzy04	RF-930y52	
	9	-	4	10.6		0.8	-	-	-	RF-930zzy04
	10	4	4	11.5	1.0	1.0	R-1030	R-1030zz	RF-1030	RF-1030zz
	10	3.5	-				R-1030y53	-	-	-

迷你型軸承
內徑4~7mm



主要寸法							型號		凸緣型號		
d	D	W	W1	FD	FW	FW1					
4	7	2	2.5	8.2	0.6	0.6	L-740	L-740ZZ	LF-740	LF-740ZZ	
	8	2	3	9.2	0.6	0.6	L-840	L-840ZZ	LF-840	LF-840ZZ	
	9	2.5	4	10.3	0.6	0.6	L-940	L-940ZZ	LF-940	LF-940ZZ	
	10	3	4	11.2	0.6	-	L-1040	L-1040ZZ	LF-1040	-	
	10	-	4	11.6	-	0.8	-	-	-	LF-1040ZZ	
	11	4	4	12.5	1.0	1.0	R-1140	R-1140ZZ	RF-1140	RF-1040ZZ	
	11	3.5	-	-	-	-	R-1140y53	-	-	-	
	12	4	4	13.5	1.0	1.0	R-1240	R-1240ZZ	RF-1240	RF-1240ZZ	
	13	5	5	15.0	1.0	1.0	R-1340	R-1340ZZ	RF-1340	RF-1340ZZ	
	16	5	5	18.0	1.0	1.0	R-1640	R-1640ZZ	FR-1640	RF-1640ZZ	
	5	8	2	2.5	9.2	0.6	0.6	L-850	L-850ZZ	LF-850	LF-850ZZ
		8	2.8	-	-	-	-	L-850w82	-	-	-
		9	2.5	3	10.2	0.6	0.6	L-590	L-950ZZ	LF-950	LF-950ZZ
		10	3	4	11.2	0.6	-	L-1050	L-1050ZZ	-	-
		10	-	4	11.6	-	0.8	-	-	-	LF-1050ZZ
		11	3	5	12.5	0.8	1.0	L-1150	L-1150ZZ	-	LF-1150ZZ
11		-	4	12.6	-	0.8	-	L-1150ZZy04	-	LF-1150ZZy04	
13		4	4	15.0	1.0	1.0	R-1350	R-1350ZZ	RF-1350	RF-1350ZZ	
13		-	5	15.0	1.0	1.0	-	R-1350ZZw05	-	RF-1350ZZw05	
14		5	5	16.0	1.0	1.0	R-1450	R-1450ZZ	RF-1450	RF-1450ZZ	
16		5	5	18.0	1.0	1.0	R-1650	R-1650ZZ	RF-1650	RF-1650ZZ	
19		6	6	22.0	1.5	1.5	R-1950	R-1950ZZ	RF-1950	RF-1950ZZ	
6		10	2.5	3	11.2	0.6	0.6	L-1060	L-1060ZZ	LF-1060	LF-1060ZZ
	12	3	4	13.2	0.6	-	L-1260	L-1260ZZ	LF-1260	-	
	12	-	4	13.6	-	0.8	-	-	-	LF-1260ZZ	
	13	3.5	5	15.0	1.0	1.1	L-1360	L-1360ZZ	LF-1360	LF-1360ZZ	
	13	-	4.5	-	-	-	-	L-1360ZZy54	-	-	
	15	5	5	17.0	1.2	1.2	R-1560	R-1560ZZ	RF-1560	RF-1560ZZ	
	17	6	6	19.0	1.2	1.2	R-1760	R-1760ZZ	RF-1760	RF-1760ZZ	
	19	6	6	22.0	1.5	1.5	R-1960	R-1960ZZ	RF-1960	RF-1960ZZ	
	22	7	7	-	-	-	R-636	R-636ZZ	-	-	
	7	11	2.5	3	12.2	0.6	0.6	L-1170	L-1170ZZ	LF-1170	LF-1170ZZ
13		3	4	14.2	0.6	-	L-1370	L-1370ZZ	LF-1370	-	
13		-	4	14.6	-	0.8	-	-	-	LF-1370ZZ	
14		3.5	5	16.0	1.0	1.1	L-1470	L-1470ZZ	LF-1470	LF-1470ZZ	
17		5	5	-	-	-	L-1770	L-1770ZZ	-	-	
19		6	6	-	-	-	R-1970	R-1970ZZ	-	-	
22		7	7	25.0	1.5	1.5	R-2270	R-2270ZZ	RF-2270	RF-2270ZZ	
26		9	9	-	-	-	R-637	R-637ZZ	-	-	

迷你型軸承
內徑8~20mm



主要寸法							型號		凸緣型號	
d	D	W	W1	FD	FW	FW1				
8	12	2.5	3.5	13.2	0.6	—	L-1280	L-1280zz	LF-1280	—
	12	—	3.5	13.6	—	0.8				LF-1280zz
	14	3.5	4	15.6	0.8	0.8	L-1480	L-1480zz	LF-1480	LF-1480zz
	16	4	5	18.0	1.0		L-1680	L-1680zz	LF-1680	LF-1680zz
	16	—	6					L-1680zz w06		
	19	6	6	22.0	1.5	1.5	R-1980	R-1980zz	RF-1980	RF-1980zz
	22	7	7	25.0	1.5	1.5	R-2280	R-2280zz	RF-2280	RF-2280zz
	24	8	8				R-2480	R-2480zz	—	
	28	9	9				R-638	R-638zz		
9	17	4	5	19.0	1.0	1.1	L-1790	L-1790zz	LF-1790	LF-1790zz
	20	6	6				L-2090	L-2090zz		
	24	7	7				R-2490	R-2490zz		
	26	8	8				R-2690	R-2690zz		
10	20	6	6			R-2010	R-2010zz			
10	19	4.5	5				L-1910y54	L-1910zz y05		
	19	5	7	22		1.5	L-1910	L-1910zz		LF-1910zz
	15	3	4	16.5		0.8	A-1510	A-1510zz	—	AF-1510zz
	26	8	8				R-2610	R-2610zz		
15	20	3.5					A-2015			
	21	3.5					A-2115			
16	22	4					A-2216			
18	24	4					A-2418			
20	25	4					A-2520			