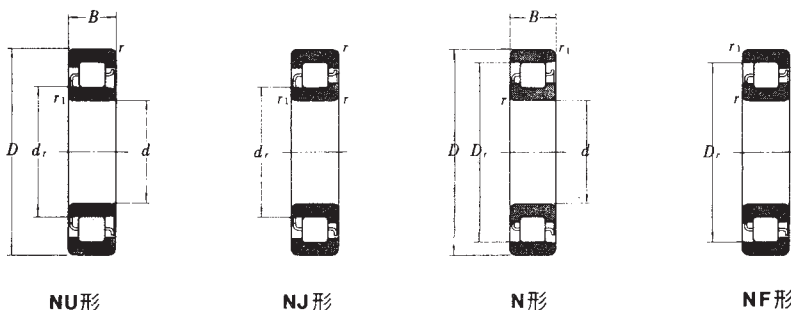


圓筒滾子軸承



圓筒滾子軸承

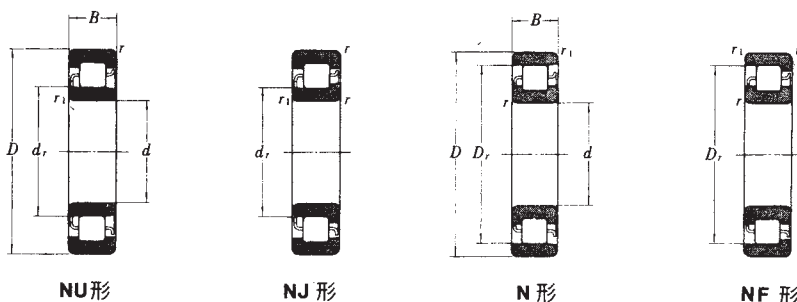
內徑 20~35mm



| 主要寸法(mm) | | | | | | | 基本型號 | | | 基本定格荷重(kgf) | | 極限速率(rpm) | | |
|----------|-----|----|-----|----------------|------|------|------------|-----|----|-------------|------|-----------|-------|-------|
| d | D | B | r | r ₁ | dr | Dr | NU形 | NJ形 | N形 | NF形 | C | Co | 脂潤滑 | 油潤滑 |
| 20 | 47 | 14 | 1.5 | 1 | 27 | 40 | NU 204 | NJ | N | NF | 1540 | 930 | 15000 | 18000 |
| | 47 | 14 | 1.5 | 1 | 26.5 | — | NU 204EWS | NJ | — | — | 2390 | 1530 | 12000 | 14000 |
| | 47 | 18 | 1.5 | 1 | 27 | — | NU 2204 | NJ | — | — | 2060 | 1350 | 13000 | 16000 |
| | 47 | 18 | 1.5 | 1 | 26.5 | — | NU 2204EWS | NJ | — | — | 2840 | 1920 | 12000 | 14000 |
| | 52 | 15 | 2 | 1 | 28.5 | 44.5 | NU 304 | NJ | N | NF | 2140 | 1300 | 12000 | 15000 |
| | 52 | 15 | 2 | 1 | 27.5 | — | NU 304EWS | NJ | — | — | 2920 | 1850 | 10000 | 12000 |
| | 52 | 21 | 2 | 1 | 28.5 | — | NU 2304 | NJ | — | — | 3050 | 2040 | 11000 | 14000 |
| | 52 | 21 | 2 | 1 | 27.5 | — | NU 2304EWS | NJ | — | — | 3900 | 2670 | 10000 | 12000 |
| 25 | 47 | 12 | 1 | 0.5 | 30.5 | — | NU 1005 | — | — | — | 1320 | 850 | 15000 | 18000 |
| | 52 | 15 | 1.5 | 1 | 32 | 45 | NU 205 | NJ | N | NF | 1740 | 1120 | 13000 | 15000 |
| | 52 | 15 | 1.5 | 1 | 31.5 | — | NU 205EWS | NJ | — | — | 2720 | 1840 | 10000 | 12000 |
| | 52 | 18 | 1.5 | 1 | 32 | — | NU 2205 | NJ | — | — | 2330 | 1620 | 11000 | 14000 |
| | 52 | 18 | 1.5 | 1 | 31.5 | — | NU 2205EWS | NJ | — | — | 3250 | 2300 | 10000 | 12000 |
| | 62 | 17 | 2 | 2 | 35 | 53 | NU 305 | NJ | N | NF | 2910 | 1860 | 10000 | 12000 |
| | 62 | 17 | 2 | 2 | 34 | — | NU 305EWS | NJ | — | — | 3850 | 2540 | 8000 | 10000 |
| | 62 | 24 | 2 | 2 | 35 | — | NU 2305 | NJ | — | — | 4250 | 3000 | 9000 | 11000 |
| | 62 | 24 | 2 | 2 | 34 | — | NU 2305EWS | NJ | — | — | 5300 | 3800 | 8000 | 10000 |
| | 80 | 21 | 2.5 | 2.5 | 38.8 | 62.8 | NU 405 | NJ | N | NF | 4300 | 2730 | 8500 | 11000 |
| 30 | 55 | 13 | 1.5 | 0.8 | 36.5 | — | NU 1006 | — | — | — | 1820 | 1260 | 12000 | 15000 |
| | 62 | 16 | 1.5 | 1 | 38.5 | 53.5 | NU 206 | NJ | N | NF | 2310 | 1520 | 11000 | 13000 |
| | 62 | 16 | 1.5 | 1 | 37.5 | — | NU 206EWS | NJ | — | — | 3600 | 2490 | 8500 | 10000 |
| | 62 | 20 | 1.5 | 1 | 38.5 | — | NU 2206 | NJ | — | — | 3250 | 2350 | 10000 | 12000 |
| | 62 | 20 | 1.5 | 1 | 37.5 | — | NU 2206EWS | NJ | — | — | 4550 | 3300 | 8500 | 10000 |
| | 72 | 19 | 2 | 2 | 42 | 62 | NU 306 | NJ | N | NF | 3800 | 2550 | 8500 | 10000 |
| | 72 | 19 | 2 | 2 | 40.5 | — | NU 306EWS | NJ | — | — | 4950 | 3400 | 7100 | 8500 |
| | 72 | 27 | 2 | 2 | 42 | — | NU 2306 | NJ | — | — | 5100 | 3700 | 8000 | 9500 |
| | 72 | 27 | 2 | 2 | 40.5 | — | NU 2306EWS | NJ | — | — | 6900 | 5250 | 7100 | 8500 |
| | 90 | 23 | 2.5 | 2.5 | 45 | 73 | NU 406 | NJ | N | NF | 6300 | 4200 | 7500 | 9000 |
| 35 | 62 | 14 | 1.5 | 0.8 | 42 | — | NU 1007 | — | — | — | 2100 | 1490 | 11000 | 13000 |
| | 72 | 17 | 2 | 1 | 43.8 | 61.8 | NU 207 | NJ | N | NF | 3300 | 2240 | 9500 | 11000 |
| | 72 | 17 | 2 | 1 | 44 | — | NU 207EWS | NJ | — | — | 4650 | 3300 | 7500 | 9000 |
| | 72 | 23 | 2 | 1 | 43.8 | — | NU 2207 | NJ | — | — | 4800 | 3650 | 8500 | 10000 |
| | 72 | 23 | 2 | 1 | 44 | — | NU 2207EWS | NJ | — | — | 5700 | 4300 | 7500 | 9000 |
| | 80 | 21 | 2.5 | 2 | 46.2 | 68.2 | NU 307 | NJ | N | NF | 4600 | 3100 | 8000 | 9500 |
| | 80 | 21 | 2.5 | 2 | 46.2 | — | NU 307EWS | NJ | — | — | 6550 | 4750 | 6300 | 7500 |
| | 80 | 31 | 2.5 | 2 | 46.2 | — | NU 2307 | NJ | — | — | 6000 | 4350 | 7100 | 8500 |
| | 80 | 31 | 2.5 | 2 | 46.2 | — | NU 2307EWS | NJ | — | — | 9150 | 7300 | 6300 | 7500 |
| | 100 | 25 | 2.5 | 2.5 | 53 | 83 | NU 407 | NJ | N | NF | 7500 | 5150 | 6700 | 8000 |

圓筒滾子軸承

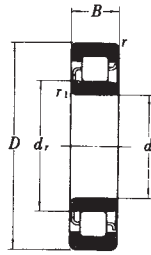
內徑 40~55mm



| 主要寸法(mm) | | | | | | | 基本型號 | | | 基本定格荷重(kgf) | | 極限速率(rpm) | | |
|----------|-----|----|-----|----------------|------|----------------|------------|---------|----|-------------|-------|-----------|-------|-------|
| d | D | B | r | r ₁ | dr | D _r | NU形 | NJ形 | N形 | NF形 | C | Co | 脂潤滑 | 油潤滑 |
| 40 | 68 | 15 | 1.5 | 1 | 47 | — | NU 1008 | — | — | — | 2530 | 1860 | 10000 | 12000 |
| | 80 | 18 | 2 | 2 | 50 | 70 | NU 208 | NJ | N | NF | 4300 | 3000 | 8500 | 10000 |
| | 80 | 18 | 2 | 2 | 49.5 | — | NU 208EWS | NJ | — | — | 5150 | 3650 | 6700 | 8000 |
| | 80 | 23 | 2 | 2 | 50 | — | NU 2208 | NJ | — | — | 5700 | 4350 | 7500 | 9000 |
| | 80 | 23 | 2 | 2 | 49.5 | — | NU 2208EWS | NJ | — | — | 6700 | 5150 | 6700 | 8000 |
| | 90 | 23 | 2.5 | 2.5 | 53.5 | 77.5 | NU 308 | NJ | N | NF | 5450 | 3750 | 7100 | 8500 |
| | 90 | 23 | 2.5 | 2.5 | 52 | — | NU 308EWS | NJ | — | — | 7700 | 5500 | 5600 | 6700 |
| | 90 | 33 | 2.5 | 2.5 | 53.5 | — | NU 2308 | NJ | — | — | 7650 | 5800 | 6300 | 7500 |
| | 90 | 33 | 2.5 | 2.5 | 52 | — | NU 2308EWS | NJ | — | — | 10600 | 8250 | 5600 | 6700 |
| | 110 | 27 | 3 | 3 | 58 | 92 | NU 408 | NJ | N | NF | 9550 | 6650 | 6000 | 7300 |
| | 45 | 75 | 16 | 1.5 | 1 | 52.5 | — | NU 1009 | — | — | — | 3000 | 2280 | 9000 |
| 85 | | 19 | 2 | 2 | 55 | 75 | NU 209 | NJ | N | NF | 4300 | 3050 | 7500 | 9000 |
| 85 | | 19 | 2 | 2 | 54.5 | — | NU 209EWS | NJ | — | — | 5850 | 4350 | 6300 | 7500 |
| 85 | | 23 | 2 | 2 | 55 | — | NU 2209 | NJ | — | — | 6000 | 4700 | 7100 | 8500 |
| 85 | | 23 | 2 | 2 | 54.5 | — | NU 2209EWS | NJ | — | — | 7050 | 5550 | 6300 | 7500 |
| 100 | | 25 | 2.5 | 2.5 | 58.5 | 86.5 | NU 309 | NJ | N | NF | 7300 | 5150 | 6300 | 7500 |
| 100 | | 25 | 2.5 | 2.5 | 58.5 | — | NU 309EWS | NJ | — | — | 9050 | 6600 | 5000 | 6000 |
| 100 | | 36 | 2.5 | 2.5 | 58.5 | — | NU 2309 | NJ | — | — | 9800 | 7550 | 5600 | 6900 |
| 100 | | 36 | 2.5 | 2.5 | 58.5 | — | NU 2309EWS | NJ | — | — | 12700 | 10200 | 5000 | 6000 |
| 120 | | 29 | 3 | 3 | 64.5 | 100.5 | NU 409 | NJ | N | NF | 10700 | 7550 | 5600 | 6700 |
| 50 | | 80 | 16 | 1.5 | 1 | 57.5 | — | NU 1010 | — | — | — | 3000 | 2290 | 8500 |
| | 90 | 20 | 2 | 2 | 60.4 | 80.4 | NU 210 | NJ | N | NF | 4700 | 3500 | 7100 | 8500 |
| | 90 | 20 | 2 | 2 | 59.5 | — | NU 210EWS | NJ | — | — | 6100 | 4700 | 5600 | 6700 |
| | 90 | 23 | 2 | 2 | 60.4 | — | NU 2210 | NJ | — | — | 6250 | 5050 | 6300 | 8000 |
| | 90 | 23 | 2 | 2 | 59.5 | — | NU 2210EWS | NJ | — | — | 7400 | 5950 | 5600 | 6700 |
| | 110 | 27 | 3 | 3 | 65 | 95 | NU 310 | NJ | N | NF | 8050 | 5700 | 5600 | 6700 |
| | 110 | 27 | 3 | 3 | 65 | — | NU 310EWS | NJ | — | — | 10200 | 7550 | 4500 | 5600 |
| | 110 | 40 | 3 | 3 | 65 | — | NU 2310 | NJ | — | — | 11900 | 9450 | 5000 | 6200 |
| | 110 | 40 | 3 | 3 | 65 | — | NU 2310EWS | NJ | — | — | 15100 | 12500 | 4500 | 5600 |
| | 130 | 31 | 3.5 | 3.5 | 70.8 | 110.8 | NU 410 | NJ | N | NF | 12900 | 9200 | 5000 | 6000 |
| | 55 | 90 | 18 | 2 | 1.5 | 64.5 | — | NU 1011 | — | — | — | 3500 | 2780 | 7500 |
| 100 | | 21 | 2.5 | 2 | 66.5 | 88.5 | NU 211 | NJ | N | NF | 5650 | 4300 | 6300 | 7500 |
| 100 | | 21 | 2.5 | 2 | 66 | — | NU 211EWS | NJ | — | — | 7650 | 6050 | 5000 | 6000 |
| 100 | | 25 | 2.5 | 2 | 66.5 | — | NU 2211 | NJ | — | — | 7350 | 6000 | 6000 | 7100 |
| 100 | | 25 | 2.5 | 2 | 66 | — | NU 2211EWS | NJ | — | — | 9000 | 7450 | 5000 | 6000 |
| 120 | | 29 | 3 | 3 | 70.5 | 104.5 | NU 311 | NJ | N | NF | 10300 | 7400 | 5000 | 6300 |
| 120 | | 29 | 3 | 3 | 70.5 | — | NU 311EWS | NJ | — | — | 12700 | 9550 | 4000 | 5000 |
| 120 | | 43 | 3 | 3 | 70.5 | — | NU 2311 | NJ | — | — | 13700 | 10800 | 4500 | 5600 |
| 120 | | 43 | 3 | 3 | 70.5 | — | NU 2311EWS | NJ | — | — | 18600 | 15600 | 4000 | 5000 |
| 140 | | 33 | 3.5 | 3.5 | 77.2 | 117.2 | NU 411 | NJ | N | NF | 12900 | 9300 | 4600 | 5600 |

圓筒滾子軸承

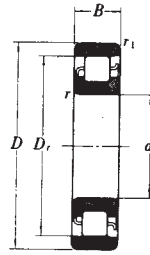
內徑 60~75mm



NU形



NJ形



N形

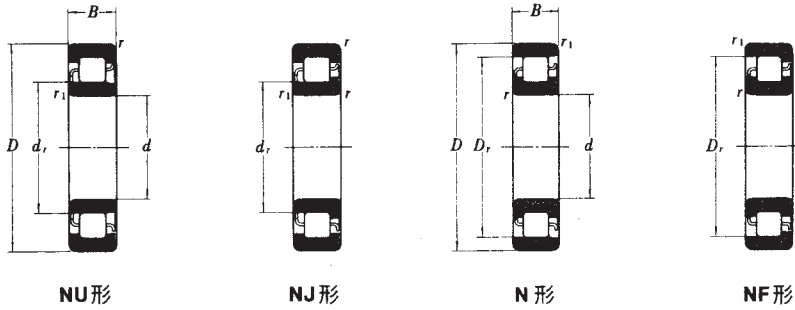


NF形

| 主要寸法(mm) | | | | | | | 基本型號 | | | 基本定格荷重(kgf) | | 極限速率(rpm) | | |
|----------|-----|----|-----|----------------|-------|-------|------------|-----|----|-------------|-------|-----------|------|------|
| d | D | B | r | r ₁ | dr | Dr | NU形 | NJ形 | N形 | NF形 | C | Co | 脂潤滑 | 油潤滑 |
| 60 | 95 | 18 | 2 | 1.5 | 69.5 | — | NU 1012 | — | — | — | 3700 | 3050 | 6700 | 8400 |
| | 110 | 22 | 2.5 | 2.5 | 73.5 | 97.5 | NU 212 | NJ | N | NF | 6650 | 5150 | 6000 | 7100 |
| | 110 | 22 | 2.5 | 2.5 | 72 | — | NU 212EWS | NJ | — | — | 9050 | 7000 | 4800 | 5600 |
| | 110 | 28 | 2.5 | 2.5 | 73.5 | — | NU 2212 | NJ | — | — | 9350 | 7950 | 5300 | 6300 |
| | 110 | 28 | 2.5 | 2.5 | 72 | — | NU 2212EWS | NJ | — | — | 12100 | 10200 | 4800 | 5600 |
| | 130 | 31 | 3.5 | 3.5 | 77 | 113 | NU 312 | NJ | N | NF | 11600 | 8500 | 4800 | 5600 |
| | 130 | 31 | 3.5 | 3.5 | 77 | — | NU 312EWS | NJ | — | — | 13900 | 10500 | 3800 | 4500 |
| | 130 | 46 | 3.5 | 3.5 | 77 | — | NU 2312 | NJ | — | — | 16600 | 13500 | 4300 | 5200 |
| | 130 | 46 | 3.5 | 3.5 | 77 | — | NU 2312EWS | NJ | — | — | 20600 | 17500 | 3800 | 4500 |
| | 150 | 35 | 3.5 | 3.5 | 83 | 127 | NU 412 | NJ | N | NF | 15500 | 11300 | 4300 | 5200 |
| 65 | 100 | 18 | 2 | 1.5 | 74.5 | — | NU 1013 | — | — | — | 3800 | 3200 | 6300 | 7900 |
| | 120 | 23 | 2.5 | 2.5 | 79.6 | 105.6 | NU 213 | NJ | N | NF | 7800 | 6100 | 5300 | 6300 |
| | 120 | 23 | 2.5 | 2.5 | 78.5 | — | NU 213EWS | NJ | — | — | 9950 | 7750 | 4300 | 5300 |
| | 120 | 31 | 2.5 | 2.5 | 79.6 | — | NU 2213 | NJ | — | — | 11100 | 9650 | 4800 | 5900 |
| | 120 | 31 | 2.5 | 2.5 | 78.5 | — | NU 2213EWS | NJ | — | — | 13800 | 11800 | 4300 | 5300 |
| | 140 | 33 | 3.5 | 3.5 | 83.5 | 121.5 | NU 313 | NJ | N | NF | 13300 | 9950 | 4500 | 5300 |
| | 140 | 33 | 3.5 | 3.5 | 82.5 | — | NU 313EWS | NJ | — | — | 16700 | 12800 | 3500 | 4300 |
| | 140 | 48 | 3.5 | 3.5 | 83.5 | — | NU 2313 | NJ | — | — | 18500 | 15200 | 3800 | 4800 |
| | 140 | 48 | 3.5 | 3.5 | 82.5 | — | NU 2313EWS | NJ | — | — | 22900 | 19200 | 3500 | 4300 |
| | 160 | 37 | 3.5 | 3.5 | 89.3 | 135.3 | NU 413 | NJ | N | NF | 18100 | 13600 | 4000 | 4800 |
| 70 | 110 | 20 | 2 | 1.5 | 80 | — | NU 1014 | — | — | — | 5400 | 4450 | 6000 | 7100 |
| | 125 | 24 | 2.5 | 2.5 | 84.5 | 110.5 | NU 214 | NJ | N | NF | 7800 | 6100 | 5000 | 6000 |
| | 125 | 24 | 2.5 | 2.5 | 83.5 | — | NU 214EWS | NJ | — | — | 11000 | 8900 | 4000 | 4800 |
| | 125 | 31 | 2.5 | 2.5 | 84.5 | — | NU 2214 | NJ | — | — | 11100 | 9700 | 4600 | 5600 |
| | 125 | 31 | 2.5 | 2.5 | 83.5 | — | NU 2214EWS | NJ | — | — | 14400 | 12600 | 4000 | 4800 |
| | 150 | 35 | 3.5 | 3.5 | 90 | 130 | NU 314 | NJ | N | NF | 14700 | 11100 | 4000 | 5000 |
| | 150 | 35 | 3.5 | 3.5 | 89 | — | NU 314EWS | NJ | — | — | 19000 | 14800 | 3300 | 4000 |
| | 150 | 51 | 3.5 | 3.5 | 90 | — | NU 2314 | NJ | — | — | 20700 | 17300 | 3600 | 4500 |
| | 150 | 51 | 3.5 | 3.5 | 89 | — | NU 2314EWS | NJ | — | — | 25400 | 21500 | 3300 | 4000 |
| | 180 | 42 | 4 | 4 | 100 | 152 | NU 414 | NJ | N | NF | 22500 | 17200 | 3600 | 4300 |
| 75 | 115 | 20 | 2 | 1.5 | 85 | — | NU 1015 | — | — | — | 5550 | 4700 | 5600 | 6700 |
| | 130 | 25 | 2.5 | 2.5 | 88.5 | 116.5 | NU 215 | NJ | N | NF | 9350 | 7550 | 4800 | 5600 |
| | 130 | 25 | 2.5 | 2.5 | 88.5 | — | NU 215EWS | NJ | — | — | 12100 | 10100 | 3900 | 4800 |
| | 130 | 31 | 2.5 | 2.5 | 88.5 | — | NU 2215 | NJ | — | — | 12600 | 11100 | 4400 | 5300 |
| | 130 | 31 | 2.5 | 2.5 | 88.5 | — | NU 2215EWS | NJ | — | — | 15000 | 13400 | 3900 | 4800 |
| | 160 | 37 | 3.5 | 3.5 | 95.5 | 139.5 | NU 315 | NJ | N | NF | 17600 | 13600 | 3800 | 4500 |
| | 160 | 37 | 3.5 | 3.5 | 95 | — | NU 315EWS | NJ | — | — | 22300 | 17600 | 3000 | 3800 |
| | 160 | 55 | 3.5 | 3.5 | 95.5 | — | NU 2315 | NJ | — | — | 25400 | 21700 | 3400 | 4300 |
| | 160 | 55 | 3.5 | 3.5 | 95 | — | NU 2315EWS | NJ | — | — | 30500 | 26400 | 3000 | 3800 |
| | 190 | 45 | 4 | 4 | 104.5 | 160.5 | NU 415 | NJ | N | NF | 24300 | 18400 | 3400 | 4000 |

圓筒滾子軸承

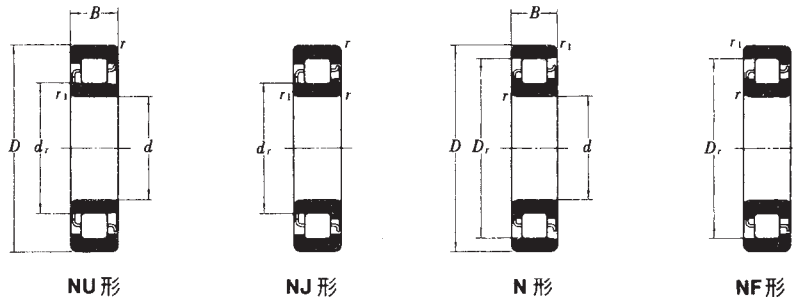
內徑 80~95mm



| 主要寸法(mm) | | | | | | | 基本型號 | | | 基本定格荷重(kgf) | | 極限速率 (rpm) | | |
|----------|-----|----|-----|----------------|-------|-------|------------|-----|----|-------------|-------|------------|------|------|
| d | D | E | r | r ₁ | dr | Dr | NU形 | NJ形 | N形 | NF形 | C | Co | 脂潤滑 | 油潤滑 |
| 80 | 125 | 22 | 2 | 1.5 | 91.5 | — | NU 1016 | — | — | — | 6700 | 5750 | 5300 | 6300 |
| | 140 | 26 | 3 | 3 | 95.3 | 125.3 | NU 216 | NJ | N | NF | 9850 | 7850 | 4500 | 5300 |
| | 140 | 26 | 3 | 3 | 95.3 | — | NU 216EWS | NJ | — | — | 12900 | 10800 | 3700 | 4300 |
| | 140 | 33 | 3 | 3 | 95.3 | — | NU 2216 | NJ | — | — | 13700 | 12000 | 4000 | 5000 |
| | 140 | 33 | 3 | 3 | 95.3 | — | NU 2216EWS | NJ | — | — | 17300 | 15700 | 3700 | 4300 |
| | 170 | 39 | 3.5 | 3.5 | 103 | 147 | NU 316 | NJ | N | NF | 18600 | 14700 | 3600 | 4300 |
| | 170 | 39 | 3.5 | 3.5 | 101 | — | NU 316EWS | NJ | — | — | 23700 | 18800 | 2900 | 3400 |
| | 170 | 58 | 3.5 | 3.5 | 103 | — | NU 2316 | NJ | — | — | 26900 | 23500 | 3200 | 3900 |
| | 170 | 58 | 3.5 | 3.5 | 101 | — | NU 2316EWS | NJ | — | — | 33000 | 28800 | 2900 | 3400 |
| | 200 | 48 | 4 | 4 | 110 | 170 | NU 416 | NJ | N | NF | 27700 | 21200 | 3200 | 3800 |
| 85 | 130 | 22 | 2 | 1.5 | 96.5 | — | NU 1017 | — | — | — | 6900 | 6050 | 5000 | 6000 |
| | 150 | 28 | 3 | 3 | 101.8 | 133.8 | NU 217 | NJ | N | NF | 11200 | 9000 | 4300 | 5000 |
| | 150 | 28 | 3 | 3 | 100.5 | — | NU 217EWS | NJ | — | — | 15500 | 12900 | 3300 | 4000 |
| | 150 | 36 | 3 | 3 | 101.8 | — | NU 2217 | NJ | — | — | 15700 | 14000 | 3800 | 4500 |
| | 150 | 36 | 3 | 3 | 100.5 | — | NU 2217EWS | NJ | — | — | 20200 | 18100 | 3300 | 4000 |
| | 180 | 41 | 4 | 4 | 108 | 156 | NU 317 | NJ | N | NF | 20900 | 16300 | 3400 | 4000 |
| | 180 | 41 | 4 | 4 | 108 | — | NU 317EWS | NJ | — | — | 27000 | 22000 | 2700 | 3200 |
| | 180 | 60 | 4 | 4 | 108 | — | NU 2317 | NJ | — | — | 29200 | 25200 | 3000 | 3700 |
| | 180 | 60 | 4 | 4 | 108 | — | NU 2317EWS | NJ | — | — | 36500 | 32500 | 2700 | 3200 |
| | 210 | 52 | 5 | 5 | 113 | 177 | NU 417 | NJ | N | NF | 31000 | 23700 | 3000 | 3600 |
| 90 | 140 | 24 | 2.5 | 2 | 103 | — | NU 1018 | — | — | — | 8200 | 7250 | 4800 | 5600 |
| | 160 | 30 | 3 | 3 | 107 | 143 | NU 218 | NJ | N | NF | 14100 | 11500 | 4000 | 4700 |
| | 160 | 30 | 3 | 3 | 107 | — | NU 218EWS | NJ | — | — | 16900 | 14100 | 3200 | 3800 |
| | 160 | 40 | 3 | 3 | 107 | — | NU 2218 | NJ | — | — | 19200 | 17100 | 3600 | 4300 |
| | 160 | 40 | 3 | 3 | 107 | — | NU 2218EWS | NJ | — | — | 22400 | 20400 | 3200 | 3800 |
| | 190 | 43 | 4 | 4 | 115 | 165 | NU 318 | NJ | N | NF | 22200 | 17500 | 3200 | 3800 |
| | 190 | 43 | 4 | 4 | 113.5 | — | NU 318EWS | NJ | — | — | 29300 | 23700 | 2500 | 3000 |
| | 190 | 64 | 4 | 4 | 115 | — | NU 2318 | NJ | — | — | 30500 | 26000 | 2800 | 3500 |
| | 190 | 64 | 4 | 4 | 113.5 | — | NU 2318EWS | NJ | — | — | 40500 | 35500 | 2500 | 3000 |
| | 225 | 54 | 5 | 5 | 123.5 | 191.5 | NU 418 | NJ | N | NF | 34500 | 27000 | 2800 | 3400 |
| 95 | 145 | 24 | 2.5 | 2 | 108 | — | NU 1019 | — | — | — | 8400 | 7600 | 4500 | 5300 |
| | 170 | 32 | 3.5 | 3.5 | 113.5 | 151.5 | NU 219 | NJ | N | NF | 15300 | 12600 | 3800 | 4400 |
| | 170 | 32 | 3.5 | 3.5 | 112.5 | — | NU 219EWS | NJ | — | — | 20400 | 17200 | 3000 | 3600 |
| | 170 | 43 | 3.5 | 3.5 | 113.5 | — | NU 2219 | NJ | — | — | 21400 | 19200 | 3400 | 4000 |
| | 170 | 43 | 3.5 | 3.5 | 112.5 | — | NU 2219EWS | NJ | — | — | 26500 | 24100 | 3000 | 3600 |
| | 200 | 45 | 4 | 4 | 121.5 | 173.5 | NU 319 | NJ | N | NF | 25400 | 20500 | 3000 | 3600 |
| | 200 | 45 | 4 | 4 | 121.5 | — | NU 319EWS | NJ | — | — | 31000 | 25700 | 2400 | 3000 |
| | 200 | 67 | 4 | 4 | 121.5 | — | NU 2319 | NJ | — | — | 36500 | 32500 | 2600 | 3300 |
| | 200 | 67 | 4 | 4 | 121.5 | — | NU 2319EWS | NJ | — | — | 42500 | 38500 | 2400 | 3000 |
| | 240 | 55 | 5 | 5 | 133.5 | 201.5 | NU 419 | NJ | N | NF | 37000 | 29700 | 2600 | 3200 |

圓筒滾子軸承

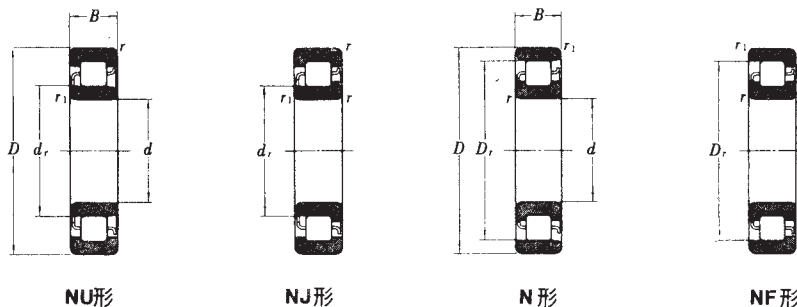
內徑 100~120mm



| 主要寸法(mm) | | | | | | | 基本型號 | | | | 基本定格荷重(kgf) | | 極限速率(rpm) | | |
|----------|-----|-----|-----|----------------|-------|-------|------------|---------|----|-----|-------------|-------|-----------|------|------|
| d | D | B | r | r ₁ | dr | Dr | NU形 | NJ形 | N形 | NF形 | C | Co | 脂潤滑 | 油潤滑 | |
| 100 | 150 | 24 | 2.5 | 2 | 113 | — | NU 1020 | — | — | — | 8600 | 7900 | 4300 | 5000 | |
| | 180 | 34 | 3.5 | 3.5 | 120 | 160 | NU 220 | NJ | N | FF | 17000 | 14000 | 3600 | 4200 | |
| | 180 | 34 | 3.5 | 3.5 | 119 | — | NU 220EWS | NJ | — | — | 23100 | 19900 | 2800 | 3400 | |
| | 180 | 46 | 3.5 | 3.5 | 120 | — | NU 2220 | NJ | — | — | 23900 | 21800 | 3200 | 3800 | |
| | 180 | 46 | 3.5 | 3.5 | 119 | — | NU 2220EWS | NJ | — | — | 31000 | 28900 | 2800 | 3400 | |
| | 215 | 47 | 4 | 4 | 129.5 | 185.5 | NU 320 | NJ | N | NF | 29300 | 23900 | 2800 | 3400 | |
| | 215 | 47 | 4 | 4 | 127.5 | — | NU 320EWS | NJ | — | — | 35000 | 28400 | 2200 | 2800 | |
| | 215 | 73 | 4 | 4 | 129.5 | — | NU 2320 | NJ | — | — | 42500 | 39000 | 2400 | 3100 | |
| | 215 | 73 | 4 | 4 | 127.5 | — | NU 2320EWS | NJ | — | — | 53000 | 48000 | 2200 | 2800 | |
| | 250 | 58 | 5 | 5 | 139 | 211 | NU 420 | NJ | N | NF | 41500 | 33500 | 2500 | 3000 | |
| | 105 | 160 | 26 | 3 | 2 | 119.5 | — | NU 1021 | — | — | — | 10100 | 9350 | 4000 | 4800 |
| | | 190 | 36 | 3.5 | 3.5 | 126.8 | 168.8 | NU 221 | NJ | N | NF | 18600 | 15600 | 3400 | 4000 |
| | | 225 | 49 | 4 | 4 | 135 | 195 | NU 321 | NJ | N | NF | 31500 | 25600 | 2600 | 3200 |
| | | 260 | 60 | 5 | 5 | 144.5 | 220.5 | NU 421 | NJ | N | NF | 46000 | 37500 | 2400 | 2900 |
| 110 | | 170 | 28 | 3 | 2 | 125 | — | NU 1022 | — | — | — | 12200 | 11000 | 3800 | 4500 |
| | 200 | 38 | 3.5 | 3.5 | 132.5 | 178.5 | NU 222 | NJ | N | NF | 22300 | 18800 | 3200 | 3800 | |
| | 200 | 38 | 3.5 | 3.5 | 132.5 | — | NU 222EWS | NJ | — | — | 27100 | 23700 | 2500 | 3000 | |
| | 200 | 53 | 3.5 | 3.5 | 132.5 | — | NU 2222 | NJ | — | — | 31000 | 28600 | 2800 | 3400 | |
| | 200 | 53 | 3.5 | 3.5 | 132.5 | — | NU 2222EWS | NJ | — | — | 35500 | 33500 | 2500 | 3000 | |
| | 240 | 50 | 4 | 4 | 143 | 207 | NU 322 | NJ | N | NF | 35000 | 28700 | 2600 | 3000 | |
| | 240 | 50 | 4 | 4 | 143 | — | NU 322EWS | NJ | — | — | 42000 | 35000 | 2000 | 2400 | |
| | 240 | 80 | 4 | 4 | 143 | — | NU 2322 | NJ | — | — | 53000 | 48500 | 2200 | 2800 | |
| | 240 | 80 | 4 | 4 | 143 | — | NU 2322EWS | NJ | — | — | 62500 | 58500 | 2000 | 2400 | |
| | 280 | 65 | 5 | 5 | 155 | 235 | NU 422 | NJ | N | NF | 51000 | 41500 | 2200 | 2700 | |
| | 120 | 180 | 28 | 3 | 2 | 135 | — | NU 1024 | — | — | — | 12800 | 12000 | 3400 | 4200 |
| 215 | | 40 | 3.5 | 3.5 | 143.5 | 191.5 | NU 224 | NJ | N | NF | 24100 | 20600 | 3000 | 3400 | |
| 215 | | 40 | 3.5 | 3.5 | 143.5 | — | NU 224EWS | NJ | — | — | 31000 | 27400 | 2300 | 2800 | |
| 215 | | 58 | 3.5 | 3.5 | 143.5 | — | NU 2224 | NJ | — | — | 34000 | 32000 | 2600 | 3200 | |
| 215 | | 58 | 3.5 | 3.5 | 143.5 | — | NU 2224EWS | NJ | — | — | 42000 | 40000 | 2300 | 2800 | |
| 260 | | 55 | 4 | 4 | 154 | 226 | NU 324 | NJ | N | NF | 44000 | 36500 | 2200 | 2800 | |
| 260 | | 55 | 4 | 4 | 154 | — | NU 324EWS | NJ | — | — | 49000 | 40500 | 1900 | 2200 | |
| 260 | | 86 | 4 | 4 | 154 | — | NU 2324 | NJ | — | — | 65500 | 61000 | 2000 | 2600 | |
| 260 | | 86 | 4 | 4 | 154 | — | NU 2324EWS | NJ | — | — | 73500 | 68500 | 1900 | 2200 | |
| 310 | | 72 | 6 | 6 | 170 | 260 | NU 424 | NJ | N | NF | 62500 | 52000 | 2000 | 2400 | |

圓筒滾子軸承

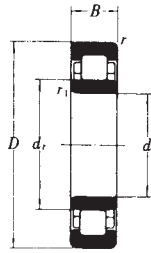
內徑 130~160mm



| 主要寸法(mm) | | | | | | | 基本型號 | | | 基本定格荷重(kgf) | | 極限速率(rpm) | | |
|----------|-----|-----|-----|----------------|-------|-----|------------|-----|----|-------------|--------|-----------|------|------|
| d | D | B | r | r ₁ | dr | Dr | NU形 | NJ形 | N形 | NF形 | C | Co | 脂潤滑 | 油潤滑 |
| 130 | 200 | 33 | 3 | 2 | 148 | — | NU 1026 | — | — | — | 15900 | 15000 | 3200 | 3800 |
| | 230 | 40 | 4 | 4 | 156 | 204 | NU 226 | NJ | N | NF | 26200 | 23300 | 2800 | 3200 |
| | 230 | 40 | 4 | 4 | 153.5 | — | NU 226EWS | NJ | — | — | 33500 | 29500 | 2200 | 2600 |
| | 230 | 64 | 4 | 4 | 156 | — | NU 2226 | NJ | — | — | 36500 | 36000 | 2400 | 3000 |
| | 230 | 64 | 4 | 4 | 153.5 | — | NU 2226EWS | NJ | — | — | 49000 | 48000 | 2200 | 2600 |
| | 280 | 58 | 5 | 5 | 167 | 243 | NU 326 | NJ | N | NF | 52000 | 44000 | 2200 | 2600 |
| | 280 | 58 | 5 | 5 | 167 | — | NU 326EWS | NJ | — | — | 57000 | 49000 | 1800 | 2200 |
| | 280 | 93 | 5 | 5 | 167 | — | NU 2326 | NJ | — | — | 78000 | 74500 | 1900 | 2400 |
| | 280 | 93 | 5 | 5 | 167 | — | NU 2326EWS | NJ | — | — | 85500 | 82000 | 1800 | 2200 |
| | 340 | 78 | 6 | 6 | 185 | 285 | NU 426 | NJ | N | NF | 76500 | 64500 | 1800 | 2200 |
| 140 | 210 | 33 | 3 | 2 | 158 | — | NU 1028 | — | — | — | 16300 | 15700 | 3000 | 3600 |
| | 250 | 42 | 4 | 4 | 169 | 221 | NU 228 | NJ | N | NF | 30000 | 27000 | 2600 | 3000 |
| | 250 | 42 | 4 | 4 | 169 | — | NU 228EWS | NJ | — | — | 36500 | 33000 | 2000 | 2400 |
| | 250 | 68 | 4 | 4 | 169 | — | NU 2228 | NJ | — | — | 43500 | 43000 | 2200 | 2800 |
| | 250 | 68 | 4 | 4 | 169 | — | NU 2228EWS | NJ | — | — | 53000 | 54000 | 2000 | 2400 |
| | 300 | 62 | 5 | 5 | 180 | 260 | NU 328 | NJ | N | NF | 57000 | 49500 | 2000 | 2400 |
| | 300 | 62 | 5 | 5 | 180 | — | NU 328EM | NJ | — | — | 61500 | 53000 | 1800 | 2100 |
| | 300 | 102 | 5 | 5 | 180 | — | NU 2328 | NJ | — | — | 85500 | 82500 | 1700 | 2200 |
| | 300 | 102 | 5 | 5 | 180 | — | NU 2328EM | NJ | — | — | 95000 | 92000 | 1800 | 2100 |
| | 360 | 82 | 6 | 6 | 198 | 302 | NU 428 | NJ | N | NF | 81000 | 68500 | 1700 | 2000 |
| 150 | 225 | 35 | 3.5 | 2.5 | 169.5 | — | NU 1030 | — | — | — | 18700 | 18500 | 2800 | 3300 |
| | 270 | 45 | 4 | 4 | 182 | 238 | NU 230 | NJ | N | NF | 34500 | 31500 | 2400 | 2700 |
| | 270 | 45 | 4 | 4 | 182 | — | NU 230EM | NJ | — | — | 41500 | 38500 | 1900 | 2400 |
| | 270 | 73 | 4 | 4 | 182 | — | NU 2230 | NJ | — | — | 50500 | 51500 | 2000 | 2600 |
| | 270 | 73 | 4 | 4 | 182 | — | NU 2230EM | NJ | — | — | 61500 | 63500 | 1900 | 2400 |
| | 320 | 65 | 5 | 5 | 193 | 277 | NU 330 | NJ | N | NF | 61500 | 53500 | 1800 | 2200 |
| | 320 | 65 | 5 | 5 | 193 | — | NU 330EM | NJ | — | — | 70000 | 61000 | 1700 | 2000 |
| | 320 | 108 | 5 | 5 | 193 | — | NU 2330 | NJ | — | — | 94500 | 92500 | 1600 | 2000 |
| | 320 | 108 | 5 | 5 | 193 | — | NU 2330EM | NJ | — | — | 108000 | 106000 | 1700 | 2000 |
| | 380 | 85 | 6 | 6 | 213 | 317 | NU 430 | NJ | N | NF | 86500 | 75000 | 1600 | 2000 |
| 160 | 240 | 38 | 3.5 | 2.5 | 180 | — | NU 1032 | — | — | — | 22000 | 21600 | 2600 | 3100 |
| | 290 | 48 | 4 | 4 | 195 | 255 | NU 232 | NJ | N | NF | 39500 | 36500 | 2200 | 2600 |
| | 290 | 48 | 4 | 4 | 195 | — | NU 232EM | NJ | — | — | 46000 | 43000 | 1800 | 2200 |
| | 290 | 80 | 4 | 4 | 195 | — | NU 2232 | NJ | — | — | 58500 | 60500 | 1900 | 2200 |
| | 290 | 80 | 4 | 4 | 193 | — | NU 2232EM | NJ | — | — | 75000 | 77000 | 1800 | 2200 |
| | 340 | 68 | 5 | 5 | 208 | 292 | NU 332 | NJ | N | NF | 64500 | 57500 | 1700 | 2000 |
| | 340 | 68 | 5 | 5 | 204 | — | NU 332EM | NJ | — | — | 79500 | 70000 | 1500 | 1800 |
| | 340 | 114 | 5 | 5 | 208 | — | NU 2332 | NJ | — | — | 99500 | 100000 | 1500 | 1900 |
| | 340 | 114 | 5 | 5 | 204 | — | NU 2332EM | NJ | — | — | 122000 | 121000 | 1500 | 1800 |

圓筒滾子軸承

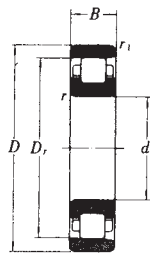
內徑 170~240mm



NU形



NJ形



N形

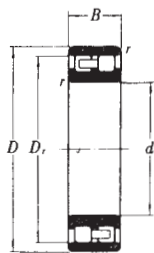


NF形

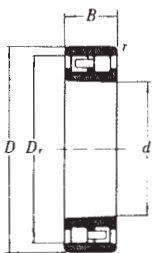
| 主要寸法(mm) | | | | | | | 基本型號 | | | 基本定格荷重(kgf) | | 極限速率(rpm) | | |
|----------|-----|-----|-----|----------------|-----|-----|-----------|---------|----|-------------|--------|-----------|-------|------|
| d | D | B | r | r ₁ | dr | Dr | NU形 | NJ形 | N形 | NF形 | C | Co | 脂潤滑 | 油潤滑 |
| 170 | 260 | 42 | 3.5 | 3.5 | 193 | — | NU 1034 | — | — | — | 26600 | 26300 | 2400 | 2800 |
| | 310 | 52 | 5 | 5 | 208 | 272 | NU 234 | NJ | N | NF | 44000 | 41000 | 2000 | 2400 |
| | 310 | 52 | 5 | 5 | 207 | — | NU 234EM | NJ | — | — | 56000 | 52000 | 1800 | 2200 |
| | 310 | 86 | 5 | 5 | 208 | — | NU 2234 | NJ | — | — | 66500 | 69000 | 1800 | 2200 |
| | 310 | 86 | 5 | 5 | 205 | — | NU 2234EM | NJ | — | — | 89500 | 92000 | 1800 | 2200 |
| | 360 | 72 | 5 | 5 | 220 | 310 | NU 334 | NJ | N | NF | 74000 | 66500 | 1600 | 1900 |
| | 360 | 120 | 5 | 5 | 220 | — | NU 2334 | NJ | — | — | 113000 | 115000 | 1400 | 1800 |
| | 180 | 280 | 46 | 3.5 | 3.5 | 205 | — | NU 1036 | — | — | — | 32500 | 32500 | 2200 |
| 320 | | 52 | 5 | 5 | 218 | 282 | NU 236 | NJ | N | NF | 46000 | 43500 | 1900 | 2200 |
| 320 | | 52 | 5 | 5 | 217 | — | NU 236EM | NJ | — | — | 58000 | 55000 | 1700 | 2000 |
| 320 | | 86 | 5 | 5 | 218 | — | NU 2236 | NJ | — | — | 69000 | 73000 | 1700 | 2000 |
| 320 | | 86 | 5 | 5 | 215 | — | NU 2236EM | NJ | — | — | 93000 | 98000 | 1700 | 2000 |
| 380 | | 75 | 5 | 5 | 232 | 328 | NU 336 | NJ | N | NF | 83500 | 76000 | 1500 | 1800 |
| 380 | | 126 | 5 | 5 | 232 | — | NU 2336 | NJ | — | — | 128000 | 131000 | 1300 | 1700 |
| 190 | 290 | 46 | 3.5 | 3.5 | 215 | — | NU 1038 | — | — | — | 33500 | 34000 | 2000 | 2600 |
| | 340 | 55 | 5 | 5 | 231 | 299 | NU 238 | NJ | N | NF | 51500 | 49000 | 1800 | 2200 |
| | 340 | 55 | 5 | 5 | 230 | — | NU 238EM | NJ | — | — | 64500 | 61500 | 1600 | 1900 |
| | 340 | 92 | 5 | 5 | 231 | — | NU 2238 | NJ | — | — | 77000 | 82500 | 1600 | 2000 |
| | 340 | 92 | 5 | 5 | 228 | — | NU 2338EM | NJ | — | — | 102000 | 108000 | 1600 | 1900 |
| | 400 | 78 | 6 | 6 | 245 | 345 | NU 338 | NJ | N | NF | 90500 | 82500 | 1400 | 1700 |
| | 400 | 132 | 6 | 6 | 245 | — | NU 2338 | NJ | — | — | 141000 | 146000 | 1300 | 1600 |
| 200 | 310 | 51 | 3.5 | 3.5 | 229 | — | NU 1040 | — | — | — | 36000 | 36500 | 2000 | 2400 |
| | 360 | 58 | 5 | 5 | 244 | 316 | NU 240 | NJ | N | NF | 57500 | 55500 | 1700 | 2000 |
| | 360 | 58 | 5 | 5 | 243 | — | NU 240EM | NJ | — | — | 71000 | 68500 | 1500 | 1800 |
| | 360 | 98 | 5 | 5 | 244 | — | NU 2240 | NJ | — | — | 85500 | 92500 | 1500 | 1900 |
| | 360 | 98 | 5 | 5 | 241 | — | NU 2240EM | NJ | — | — | 114000 | 121000 | 1500 | 1800 |
| | 420 | 80 | 6 | 6 | 260 | 360 | NU 340 | NJ | N | NF | 90500 | 83000 | 1300 | 1600 |
| | 420 | 138 | 6 | 6 | 260 | — | NU 2340 | NJ | — | — | 141000 | 146000 | 1200 | 1500 |
| 220 | 340 | 56 | 4 | 4 | 250 | — | NU 1044 | — | — | — | 46500 | 47500 | 1800 | 2200 |
| | 400 | 65 | 5 | 5 | 270 | 350 | NU 244 | NJ | N | NF | 70500 | 69000 | 1500 | 1800 |
| | 400 | 108 | 5 | 5 | 270 | — | NU 2244 | NJ | — | — | 105000 | 116000 | 1400 | 1700 |
| | 460 | 88 | 6 | 6 | 284 | 396 | NU 344 | NJ | N | NF | 111000 | 103000 | 1200 | 1500 |
| 240 | 360 | 56 | 4 | 4 | 270 | — | NU 1048 | — | — | — | 49000 | 51500 | 1600 | 2000 |
| | 440 | 72 | 5 | 5 | 295 | 385 | NU 248 | NJ | N | NF | 87000 | 86000 | 1300 | 1600 |
| | 440 | 120 | 5 | 5 | 295 | — | NU 2248 | NJ | — | — | 133000 | 149000 | 1200 | 1500 |
| | 500 | 95 | 6 | 6 | 310 | 430 | NU 348 | NJ | N | NF | 126000 | 119000 | 1100 | 1300 |

双列圆筒滚子轴承

内径 25~140mm



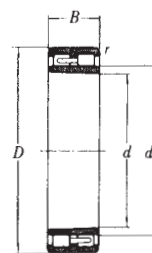
NN形
圆筒内孔



NN形
锥形内孔



NNU形
圆筒内孔



NNU形
锥形内孔

| 主要寸法(mm) | | | | | | 基本型號 | | 基本定格荷重(kgf) | | 極限速率(rpm) | |
|----------|-----|----|-----|-------|------|----------|------------|-------------|-------|-----------|-------|
| d | D | B | r | dr | Dr | 圓形内孔 | 錐形内孔 | C | Co | 脂潤滑 | 油潤滑 |
| 25 | 47 | 16 | 1 | — | 41.3 | NN 3005 | NN 3005 K | 2390 | 1930 | 14000 | 17000 |
| 30 | 55 | 19 | 1.5 | — | 48.5 | NN 3006 | NN 3006 K | 2860 | 2380 | 12000 | 14000 |
| 35 | 62 | 20 | 1.5 | — | 55 | NN 3007 | NN 3007 K | 3650 | 3200 | 10000 | 12000 |
| 40 | 68 | 21 | 1.5 | — | 61 | NN 3008 | NN 3008 K | 4000 | 3550 | 9000 | 11000 |
| 45 | 75 | 23 | 1.5 | — | 67.5 | NN 3009 | NN 3009 K | 4800 | 4350 | 8500 | 10000 |
| 50 | 80 | 23 | 1.5 | — | 72.5 | NN 3010 | NN 3010 K | 4900 | 4600 | 7500 | 9000 |
| 55 | 90 | 26 | 2 | — | 81 | NN 3011 | NN 3011 K | 6400 | 6100 | 7100 | 8300 |
| 60 | 95 | 26 | 2 | — | 86.1 | NN 3012 | NN 3012 K | 6800 | 6700 | 6300 | 7500 |
| 65 | 100 | 26 | 2 | — | 91 | NN 3013 | NN 3013 K | 7150 | 7300 | 6000 | 7000 |
| 70 | 110 | 30 | 2 | — | 100 | NN 3014 | NN 3014 K | 9050 | 9350 | 5600 | 6700 |
| 75 | 115 | 30 | 2 | — | 105 | NN 3015 | NN 3015 K | 9050 | 9400 | 5300 | 6300 |
| 80 | 125 | 34 | 2 | — | 113 | NN 3016 | NN 3016 K | 11100 | 11700 | 5000 | 5600 |
| 85 | 130 | 34 | 2 | — | 118 | NN 3017 | NN 3017 K | 11600 | 12600 | 4800 | 5500 |
| 90 | 140 | 37 | 2.5 | — | 127 | NN 3018 | NN 3018 K | 13200 | 14300 | 4300 | 5200 |
| 95 | 145 | 37 | 2.5 | — | 132 | NN 3019 | NN 3019 K | 13900 | 15500 | 4200 | 4900 |
| 100 | 140 | 40 | 2 | 112 | — | NNU 4920 | NNU 4920 K | 14300 | 18400 | 4000 | 5000 |
| | 150 | 37 | 2.5 | — | 137 | NN 3020 | NN 3020 K | 14600 | 16600 | 4000 | 4700 |
| 105 | 145 | 40 | 2 | 117 | — | NNU 4921 | NNU 4921 K | 14900 | 19600 | 3800 | 4800 |
| | 160 | 41 | 3 | — | 146 | NN 3021 | NN 3021 K | 18400 | 20300 | 3800 | 4400 |
| 110 | 150 | 40 | 2 | 122 | — | NNU 4922 | NNU 4922 K | 15500 | 20800 | 3600 | 4500 |
| | 170 | 45 | 3 | — | 155 | NN 3022 | NN 3022 K | 21200 | 23600 | 3600 | 4200 |
| 120 | 165 | 45 | 2 | 133.5 | — | NNU 4924 | NNU 4924 K | 17000 | 22400 | 3400 | 4000 |
| | 180 | 46 | 3 | — | 165 | NN 3024 | NN 3024 K | 22200 | 25500 | 3200 | 3900 |
| 130 | 180 | 50 | 2.5 | 144 | — | NNU 4926 | NNU 4926 K | 25300 | 34000 | 3000 | 3800 |
| | 200 | 52 | 3 | — | 182 | NN 3026 | NN 3026 K | 26400 | 30000 | 3000 | 3500 |
| 140 | 190 | 50 | 2.5 | 154 | — | NNU 4928 | NNU 4928 K | 26200 | 36000 | 2800 | 3600 |
| | 210 | 53 | 3 | — | 192 | NN 3028 | NN 3028 K | 27600 | 32500 | 2800 | 3300 |

