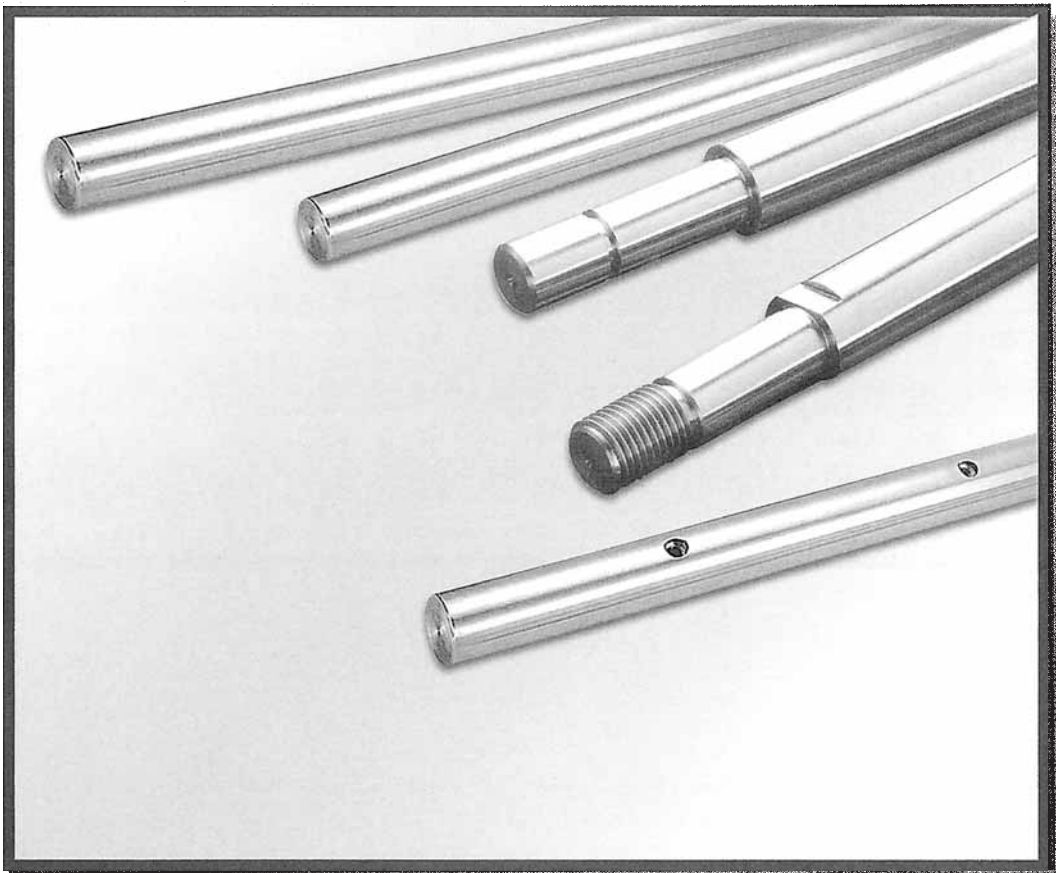


# SHAFT

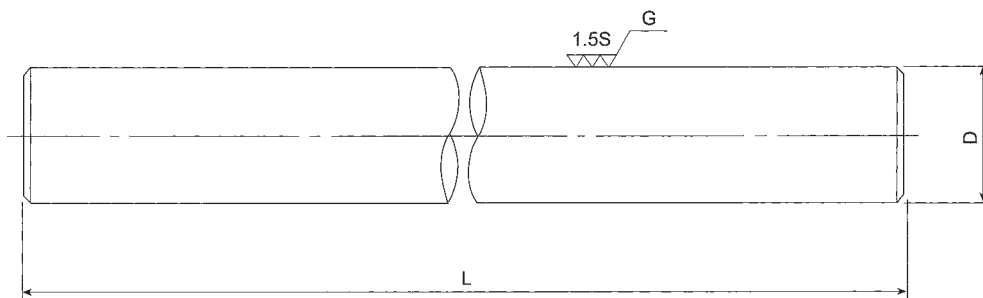
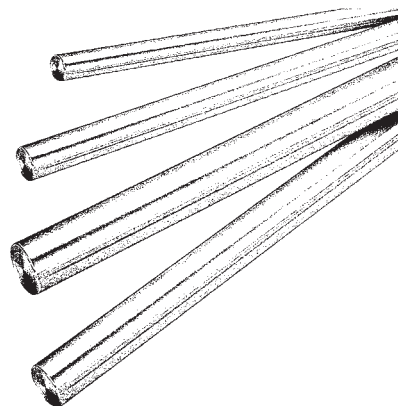
## 軸 心



# SF 軸心 Shaft

材 質：軸承鋼(SUJ2)  
處理方式：高週波熱處理及研磨  
硬 度：HRC 62±2

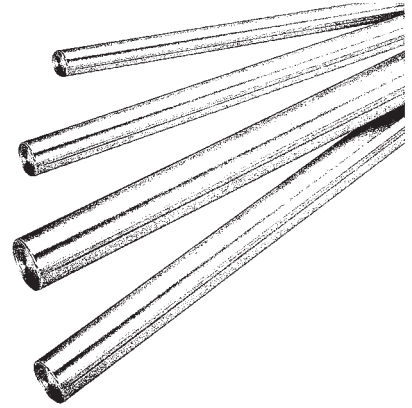
Material : SUJ2(high carbon chromium steel)  
Treatment : Heat treatment ground and polished  
Hardness : HRC 62±2



| 外徑<br>Diameter | 型號<br>Model No. | 外徑公差<br>Diameter tolerance<br>$\mu\text{m}$ | 最大製作長度<br>Max Length | 有效硬化層深度<br>Depth of effective<br>hardened layer | 重量<br>Weight           | 外徑<br>Diameter |     |
|----------------|-----------------|---|----------------------|---|------------------------|----------------|-----|
| mm             | SF              | g6  | L mm                 | mm  | kg/m                   | mm             |     |
| 3              | SF 3            | -4  | 400                  | 1.5以上<br>1.5 and above                          | 0.06                   | 3              |     |
| 4              | SF 4            |   | 400                  |   | 0.10                   | 4              |     |
| 5              | SF 5            |   | 2000                 |   | 0.16                   | 5              |     |
| 6              | SF 6            | -5  | 3000                 |   | 0.23                   | 6              |     |
| 8              | SF 8            |   | 3000                 |   | 0.40                   | 8              |     |
| 10             | SF 10           |   | 4000                 |   | 0.62                   | 10             |     |
| 12             | SF 12           |   | 6000                 |   | 0.89                   | 12             |     |
| 13             | SF 13           | -14   | 6000                 |   | 2.0以上<br>2.0 and above | 1.05           | 13  |
| 16             | SF 16           |   | 6000                 |   |                        | 1.58           | 16  |
| 20             | SF 20           | -7  | 6000                 |   |                        | 2.47           | 20  |
| 25             | SF 25           |   | 6000                 | 3.85  |                        | 25             |     |
| 30             | SF 30           |   | 6000                 | 5.55  |                        | 30             |     |
| 35             | SF 35           | -9  | 6000                 | 2.5以上<br>2.5 and above                          |                        | 7.55           | 35  |
| 40             | SF 40           |   | 6000                 |   |                        | 9.87           | 40  |
| 50             | SF 50           |   | 6000                 |   |                        | 15.41          | 50  |
| 60             | SF 60           | -10   | 6000                 |   | 3.0以上<br>3.0 and above | 22.20          | 60  |
| 80             | SF 80           |   | 6000                 |   |                        | 39.46          | 80  |
| 100            | SF 100          |   | 6000                 |   |                        | 61.66          | 100 |
|                |                 | -12<br>-34                                  |                      |   |                        |                |     |

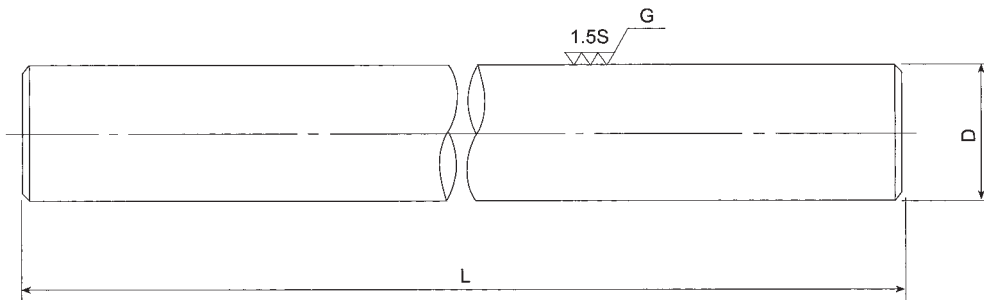
# SCF 不生銹軸心

## Anticorrosive Shaft



材 質：軸承鋼(SUJ2)  
 處理方式：高週波熱處理，研磨及表面鍍硬鉻  
 硬 度：HRC 62±2

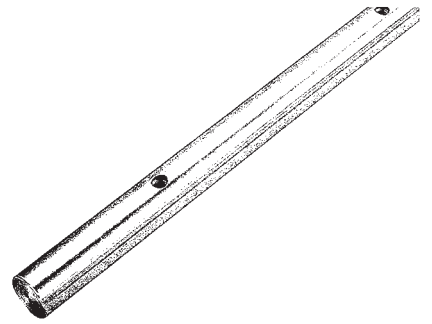
Material : SUJ2(high carbon chromium steel)  
 Treatment : Heat treatment ground, chromium plated and polished  
 Hardness : HRC 62±2



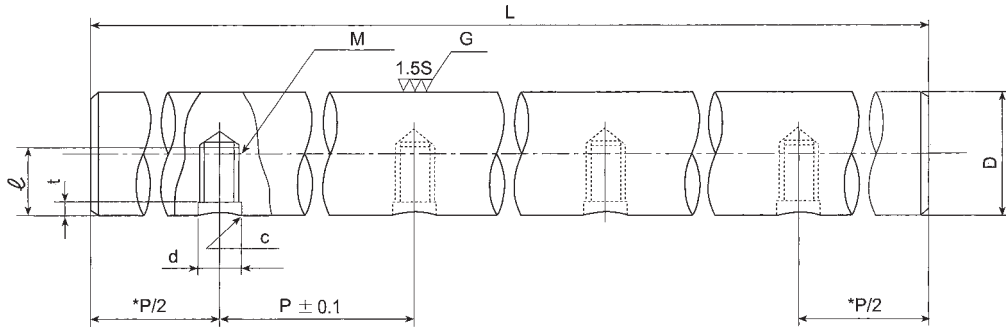
| 外徑<br>Diameter | 型號<br>Model No. | 外徑公差<br>Diameter tolerance<br>μm | 最大製作長度<br>Max Length | 有效硬化層深度<br>Depth of effective<br>hardened layer | 重量<br>Weight | 外徑<br>Diameter |
|----------------|-----------------|----------------------------------|----------------------|---|--------------|----------------|
| mm             | SCF             | g6                               | L mm                 | mm  | kg/m         | mm             |
| 3              | SCF 3           | -4                               | 400                  | 1.5以上<br>1.5 and above                          | 0.06         | 3              |
| 4              | SCF 4           |                                  | 400                  |   | 0.10         | 4              |
| 5              | SCF 5           |                                  | 2000                 |   | 0.16         | 5              |
| 6              | SCF 6           |                                  | 3000                 |   | 0.23         | 6              |
| 8              | SCF 8           | -5                               | 3000                 |   | 0.40         | 8              |
| 10             | SCF 10          | -14                              | 4000                 |   | 0.62         | 10             |
| 12             | SCF 12          | -6                               | 6000                 |   | 0.89         | 12             |
| 13             | SCF 13          | -17                              | 6000                 |   | 1.05         | 13             |
| 16             | SCF 16          | -7                               | 6000                 | 2.0以上<br>2.0 and above                          | 1.58         | 16             |
| 20             | SCF 20          |                                  | 6000                 | 2.47  | 20           |                |
| 25             | SCF 25          |                                  | 6000                 | 3.85  | 25           |                |
| 30             | SCF 30          |                                  | 6000                 | 5.55  | 30           |                |
| 35             | SCF 35          | -9                               | 6000                 | 2.5以上<br>2.5 and above                          | 7.55         | 35             |
| 40             | SCF 40          | -25                              | 6000                 | 3.0以上<br>3.0 and above                          | 9.87         | 40             |
| 50             | SCF 50          | 6000                             | 15.41                |   | 50           |                |
| 60             | SCF 60          | -10                              | 6000                 |   | 22.20        | 60             |
| 80             | SCF 80          | -29                              | 6000                 |   | 39.46        | 80             |
| 100            | SCF 100         | -12<br>-34                       | 6000                 | 61.66   | 100          |                |

# SCFB 外徑攻牙軸心(不生鏽)

## Tapped Shaft (Anticorrosive)



材質：軸承鋼(SUJ2)高週波熱處理， Material：SUJ2(high carbon chromium steel)  
 研磨及表面鍍硬鉻 Heat treatment, ground, chromium  
 plated and polished  
 硬度：HRC 62±2 Hardness：HRC 62±2



註：\*記號，全長L視長度情況，則不受P/2之限制。  
 Note：\* is to be changed by the length L.

單位(unit)：mm

| 外徑<br>Diameter | 型號<br>Type | 外徑公差<br>μm<br>Diameter tolerance | 孔距<br>Pitch | 螺栓<br>Nominal screw | 螺牙深度<br>Thread depth | 沈窩孔<br>Counter bore | 沈窩孔深<br>Depth of counter bore | 倒角<br>Chamfer      | 最大長度<br>Max length | 重量<br>Weight |
|----------------|------------|----------------------------------|-------------|---------------------|----------------------|---------------------|-------------------------------|--------------------|--------------------|--------------|
| D              | SCFB       | g6                               | P           | M                   | φ                    | d                   | t <sub>(ref)</sub>            | c <sub>(ref)</sub> | L(max)             | kg/m         |
| 12             | SCFB12     | -6~ -17                          | 100         | M4x0.7              | 6                    | 4.5                 | 2.0                           | 0.7                | 4,000              | 0.89         |
| 16             | SCFB16     | -6~ -17                          | 150         | M5x0.8              | 8                    | 5.5                 | 2.5                           | 0.7                | 3,600              | 1.58         |
| 20             | SCFB20     | -7~ -20                          | 150         | M6x1                | 10                   | 6.5                 | 2.5                           | 0.7                | 4,200              | 2.47         |
| 25             | SCFB25     | -7~ -20                          | 200         | M6x1                | 12                   | 6.5                 | 2.5                           | 0.7                | 4,200              | 3.85         |
| 30             | SCFB30     | -7~ -20                          | 200         | M8x1.25             | 15                   | 8.5                 | 3.0                           | 1                  | 4,200              | 5.55         |
| 35             | SCFB35     | -9~ -25                          | 200         | M8x1.25             | 15                   | 8.5                 | 3.0                           | 1                  | 4,200              | 7.55         |
| 40             | SCFB40     | -9~ -25                          | 300         | M8x1.25             | 18                   | 8.5                 | 3.0                           | 1                  | 4,200              | 9.87         |

Example of identification number:

**SCFB 20X1500**

① ②

① Type: Shaft diameter

② Overall Length

訂購例：

**SCFB 20X1500**

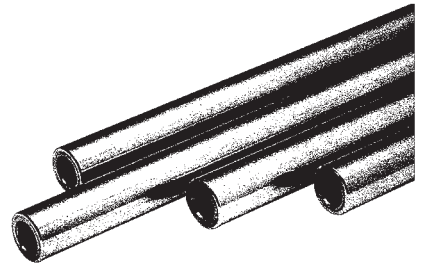
① ②

① 型號：軸心外徑

② 總長度

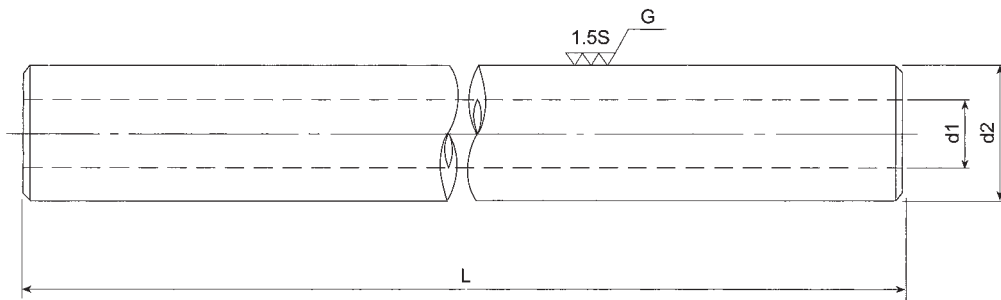
# SCNT 不生銹空心軸心

## Anticorrosive Hollow Shaft



材 質：軸承鋼(SUJ2)  
 處理方式：高週波熱處理，研磨及表面鍍硬銘  
 硬 度：HRC 62±2

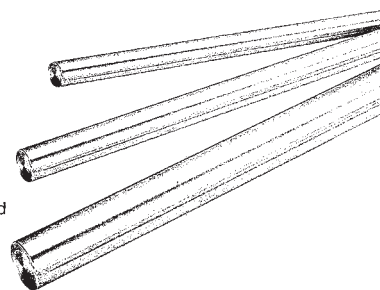
Material : SUJ2(high carbon chromium steel)  
 Treatment : Heat treatment ground, chromium plated and polished  
 Hardness : HRC 62±2



| 外徑<br>Outer Diameter<br>d2<br>mm | 內徑(參考)<br>Inner Diameter(Ref)<br>d1<br>mm | 型號<br>Model No.<br>SCNT | 外徑公差<br>Diameter tolerance<br>μm<br>g6 | 最大製作長度<br>Max Length<br>L mm | 有效硬化層深度<br>Depth of effective<br>hardened layer<br>mm | 重量<br>Weight<br>kg/m | 外徑<br>Outer Diameter<br>d2<br>mm | 內徑(參考)<br>Inner Diameter(Ref)<br>d1<br>mm |
|----------------------------------|---|-------------------------|--|------------------------------|---|----------------------|----------------------------------|---|
| 10                               | 4   | SCNT 10                 | -5~-14                                 | 1000                         | 1.2   | 0.52                 | 10                               | 4   |
| 12                               | 5   | SCNT 12                 | -6~-17                                 | 2000                         | 1.3   | 0.79                 | 12                               | 5   |
| 13                               | 6   | SCNT 13                 | -6~-17                                 | 2000                         | 1.3   | 0.82                 | 13                               | 6   |
| 16                               | 8   | SCNT 16                 | -6~-17                                 | 4000                         | 1.6   | 1.28                 | 16                               | 8   |
| 20                               | 10  | SCNT 20                 | -7~-20                                 | 4000                         | 1.8   | 1.25                 | 20                               | 10  |
| 25                               | 15  | SCNT 25                 | -7~-20                                 | 4000                         | 2.0   | 2.35                 | 25                               | 15  |
| 30                               | 16  | SCNT 30                 | -7~-20                                 | 4000                         | 2.4   | 3.50                 | 30                               | 16  |
| 35                               | 19  | SCNT 35                 | -9~-25                                 | 4000                         | 2.5   | 4.90                 | 35                               | 19  |
| 40                               | 20  | SCNT 40                 | -9~-25                                 | 4000                         | 2.6   | 4.99                 | 40                               | 20  |
| 50                               | 26  | SCNT 50                 | -9~-25                                 | 4000                         | 2.9   | 9.91                 | 50                               | 26  |
| 60                               | 32  | SCNT 60                 | -10~-29                                | 4000                         | 3.0   | 14.2                 | 60                               | 32  |

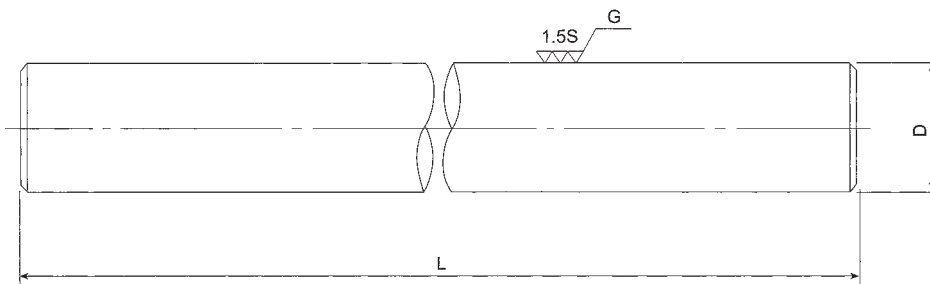
# CRS 不生銹軸心(中碳鋼)

## Anticorrosive



材 質：中碳鋼(S45C)  
處理方式：表面鍍硬銘

Material : S45C  
Treatment : Ground, chromium plated and polished



| 外徑<br>Diameter | 型號<br>Model No. | 外徑公差<br>Diameter tolerance<br>$\mu\text{m}$ | 最大製作長度<br>Max. Length | 重量<br>Weight | 外徑<br>Diameter |
|----------------|-----------------|---|-----------------------|--------------|----------------|
| mm             | CRS             | f7  | L mm                  | kg/m         | mm             |
| 8              | CRS 8           | -13   | 3000                  | 0.40         | 8              |
| 10             | CRS 10          | -28   | 3000                  | 0.62         | 10             |
| 12             | CRS 12          | -16   | 3000                  | 0.89         | 12             |
| 15             | CRS 15          |   | 3000                  | 1.39         | 15             |
| 16             | CRS 16          | -34   | 3000                  | 1.58         | 16             |
| 18             | CRS 18          | -20   | 3000                  | 2.00         | 18             |
| 20             | CRS 20          |   | 4000                  | 2.47         | 20             |
| 25             | CRS 25          | -41   | 4000                  | 3.85         | 25             |
| 30             | CRS 30          | -25   | 4000                  | 5.55         | 30             |
| 35             | CRS 35          |   | 4000                  | 7.55         | 35             |
| 40             | CRS 40          | -50   | 4000                  | 9.87         | 40             |
| 45             | CRS 45          | -30   | 4000                  | 12.49        | 45             |
| 50             | CRS 50          |   | 4000                  | 15.41        | 50             |
| 55             | CRS 55          | -60   | 4000                  | 18.65        | 55             |
| 60             | CRS 60          | -30   | 4000                  | 22.20        | 60             |
| 65             | CRS 65          |   | 4000                  | 26.05        | 65             |
| 70             | CRS 70          | -71   | 4000                  | 30.21        | 70             |
| 75             | CRS 75          | -36   | 4000                  | 34.68        | 75             |
| 80             | CRS 80          |   | 4000                  | 39.46        | 80             |
| 90             | CRS 90          | -71   | 4000                  | 49.94        | 90             |
| 100            | CRS 100         | -36   | 4000                  | 61.66        | 100            |
| 120            | CRS 120         |   | 4000                  | 88.78        | 120            |

軸的尺寸公差

單位  $\mu m=0.001mm$

| 尺寸區分<br>(mm) |       | 尺寸區分<br>(mm) |       |      |      |     |      |     |     |     |     |     |     |      |      |       |       |       |    |     |     |     |     |     |     |     |     |      |      |      |
|--------------|-------|--------------|-------|------|------|-----|------|-----|-----|-----|-----|-----|-----|------|------|-------|-------|-------|----|-----|-----|-----|-----|-----|-----|-----|-----|------|------|------|
| 以上 以下        |       | a            | c     | d    | e    | f   | g    | h   |     |     | js  | j   | k   | m    | n    | p     | r     | 以上 以下 |    |     |     |     |     |     |     |     |     |      |      |      |
| 3            | 6     | a13          | c12   | d6   | e6   | f5  | f6   | g5  | g6  | h5  | h6  | h7  | h8  | h9   | h10  | js6   | js5   | js4   | j5 | j6  | k5  | k6  | m5  | m6  | n5  | n6  | p5  | p6   | r6   | r7   |
| -30          | -70   | -270         | -190  | -38  | -20  | -10 | -10  | -4  | -4  | 0   | 0   | 0   | 0   | 0    | 0    | +2.5  | +4    | -2    | +3 | +6  | +6  | +9  | +9  | +12 | +13 | +16 | +17 | +20  | +23  | +27  |
| -450         | -190  | -450         | -190  | -28  | -15  | -18 | -9   | -12 | -9  | -5  | -8  | -12 | -18 | -30  | -48  | -4    | -2    | +4    | +1 | +1  | +1  | +1  | +4  | +4  | +8  | +8  | +12 | +12  | +15  | +15  |
| -80          | -230  | -280         | -230  | -40  | -25  | -13 | -13  | -5  | -5  | 0   | 0   | 0   | 0   | 0    | 0    | +3    | +4.5  | -2    | +4 | +7  | +7  | +10 | +10 | +12 | +15 | +16 | +19 | +21  | +28  | +34  |
| -500         | -230  | -500         | -230  | -49  | -34  | -19 | -22  | -11 | -14 | -6  | -9  | -15 | -22 | -36  | -58  | -2    | -2    | +1    | +1 | +1  | +1  | +1  | +1  | +6  | +10 | +10 | +15 | +19  | +19  |      |
| -95          | -290  | -290         | -95   | -50  | -32  | -16 | -16  | -6  | -6  | 0   | 0   | 0   | 0   | 0    | 0    | +4    | +5.5  | -3    | +5 | +8  | +9  | +12 | +15 | +18 | +20 | +23 | +26 | +29  | +34  | +41  |
| -560         | -275  | -560         | -275  | -61  | -43  | -24 | -27  | -14 | -17 | -8  | -11 | -18 | -27 | -43  | -70  | -3    | -3    | +1    | +1 | +1  | +1  | +1  | +7  | +7  | +12 | +12 | +18 | +18  | +23  | +23  |
| -300         | -110  | -300         | -110  | -65  | -40  | -20 | -20  | -7  | -7  | 0   | 0   | 0   | 0   | 0    | 0    | +4.5  | +6.5  | -4    | +5 | +9  | +11 | +15 | +17 | +21 | +24 | +28 | +31 | +35  | +41  | +49  |
| -630         | -320  | -630         | -320  | -78  | -53  | -29 | -33  | -16 | -20 | -9  | -13 | -21 | -33 | -52  | -84  | -4    | -4    | +2    | +2 | +2  | +2  | +2  | +8  | +8  | +15 | +15 | +22 | +22  | +28  | +28  |
| -310         | -120  | -310         | -120  | -80  | -50  | -25 | -25  | -9  | -9  | 0   | 0   | 0   | 0   | 0    | 0    | +5.5  | +8    | -5    | +6 | +11 | +13 | +18 | +20 | +25 | +28 | +33 | +37 | +42  | +50  | +59  |
| -700         | -370  | -700         | -370  | -96  | -66  | -36 | -41  | -20 | -25 | -11 | -16 | -25 | -39 | -62  | -100 | +8    | +9.5  | -5    | +6 | +11 | +13 | +18 | +20 | +25 | +28 | +33 | +37 | +42  | +50  | +59  |
| -320         | -130  | -320         | -130  | -96  | -66  | -36 | -41  | -20 | -25 | -11 | -16 | -25 | -39 | -62  | -100 | +8    | +9.5  | -5    | +6 | +11 | +13 | +18 | +20 | +25 | +28 | +33 | +37 | +42  | +50  | +59  |
| -710         | -380  | -710         | -380  | -100 | -70  | -43 | -49  | -23 | -29 | -13 | -19 | -30 | -46 | -74  | -120 | +9.5  | +11.5 | -7    | +6 | +12 | +15 | +21 | +24 | +30 | +33 | +39 | +45 | +51  | +60  | +71  |
| -340         | -140  | -340         | -140  | -100 | -70  | -43 | -49  | -23 | -29 | -13 | -19 | -30 | -46 | -74  | -120 | +9.5  | +11.5 | -7    | +6 | +12 | +15 | +21 | +24 | +30 | +33 | +39 | +45 | +51  | +60  | +71  |
| -360         | -150  | -360         | -150  | -100 | -70  | -43 | -49  | -23 | -29 | -13 | -19 | -30 | -46 | -74  | -120 | +9.5  | +11.5 | -7    | +6 | +12 | +15 | +21 | +24 | +30 | +33 | +39 | +45 | +51  | +60  | +71  |
| -820         | -450  | -820         | -450  | -119 | -79  | -43 | -49  | -23 | -29 | -13 | -19 | -30 | -46 | -74  | -120 | +9.5  | +11.5 | -7    | +6 | +12 | +15 | +21 | +24 | +30 | +33 | +39 | +45 | +51  | +60  | +71  |
| -380         | -170  | -380         | -170  | -120 | -72  | -36 | -36  | -12 | -12 | 0   | 0   | 0   | 0   | 0    | 0    | +7.5  | +11   | -9    | +6 | +13 | +18 | +25 | +28 | +35 | +38 | +45 | +52 | +59  | +68  | +86  |
| -920         | -520  | -920         | -520  | -142 | -84  | -51 | -58  | -27 | -34 | -15 | -22 | -35 | -54 | -87  | -140 | +11   | +12.5 | -11   | +7 | +14 | +21 | +28 | +33 | +40 | +45 | +52 | +59 | +68  | +86  | +100 |
| -410         | -180  | -410         | -180  | -142 | -84  | -51 | -58  | -27 | -34 | -15 | -22 | -35 | -54 | -87  | -140 | +11   | +12.5 | -11   | +7 | +14 | +21 | +28 | +33 | +40 | +45 | +52 | +59 | +68  | +86  | +100 |
| -930         | -530  | -930         | -530  | -170 | -110 | -61 | -68  | -32 | -39 | -18 | -25 | -40 | -63 | -100 | -160 | +9    | +12.5 | -11   | +7 | +14 | +21 | +28 | +33 | +40 | +45 | +52 | +59 | +68  | +86  | +100 |
| -460         | -200  | -460         | -200  | -145 | -85  | -43 | -43  | -14 | -14 | 0   | 0   | 0   | 0   | 0    | 0    | +9    | +12.5 | -11   | +7 | +14 | +21 | +28 | +33 | +40 | +45 | +52 | +59 | +68  | +86  | +100 |
| -1090        | -600  | -1090        | -600  | -170 | -110 | -61 | -68  | -32 | -39 | -18 | -25 | -40 | -63 | -100 | -160 | +9    | +12.5 | -11   | +7 | +14 | +21 | +28 | +33 | +40 | +45 | +52 | +59 | +68  | +86  | +100 |
| -520         | -210  | -520         | -210  | -145 | -85  | -43 | -43  | -14 | -14 | 0   | 0   | 0   | 0   | 0    | 0    | +9    | +12.5 | -11   | +7 | +14 | +21 | +28 | +33 | +40 | +45 | +52 | +59 | +68  | +86  | +100 |
| -1150        | -610  | -1150        | -610  | -170 | -110 | -61 | -68  | -32 | -39 | -18 | -25 | -40 | -63 | -100 | -160 | +9    | +12.5 | -11   | +7 | +14 | +21 | +28 | +33 | +40 | +45 | +52 | +59 | +68  | +86  | +100 |
| -580         | -230  | -580         | -230  | -170 | -110 | -61 | -68  | -32 | -39 | -18 | -25 | -40 | -63 | -100 | -160 | +9    | +12.5 | -11   | +7 | +14 | +21 | +28 | +33 | +40 | +45 | +52 | +59 | +68  | +86  | +100 |
| -1210        | -630  | -1210        | -630  | -170 | -110 | -61 | -68  | -32 | -39 | -18 | -25 | -40 | -63 | -100 | -160 | +9    | +12.5 | -11   | +7 | +14 | +21 | +28 | +33 | +40 | +45 | +52 | +59 | +68  | +86  | +100 |
| -660         | -240  | -660         | -240  | -170 | -110 | -61 | -68  | -32 | -39 | -18 | -25 | -40 | -63 | -100 | -160 | +9    | +12.5 | -11   | +7 | +14 | +21 | +28 | +33 | +40 | +45 | +52 | +59 | +68  | +86  | +100 |
| -1380        | -700  | -1380        | -700  | -170 | -110 | -61 | -68  | -32 | -39 | -18 | -25 | -40 | -63 | -100 | -160 | +9    | +12.5 | -11   | +7 | +14 | +21 | +28 | +33 | +40 | +45 | +52 | +59 | +68  | +86  | +100 |
| -740         | -260  | -740         | -260  | -170 | -110 | -61 | -68  | -32 | -39 | -18 | -25 | -40 | -63 | -100 | -160 | +9    | +12.5 | -11   | +7 | +14 | +21 | +28 | +33 | +40 | +45 | +52 | +59 | +68  | +86  | +100 |
| -1460        | -720  | -1460        | -720  | -199 | -129 | -70 | -79  | -35 | -44 | -20 | -29 | -46 | -72 | -115 | -185 | +10   | +14.5 | -13   | +7 | +16 | +24 | +33 | +37 | +46 | +51 | +60 | +70 | +79  | +88  | +105 |
| -820         | -280  | -820         | -280  | -199 | -129 | -70 | -79  | -35 | -44 | -20 | -29 | -46 | -72 | -115 | -185 | +10   | +14.5 | -13   | +7 | +16 | +24 | +33 | +37 | +46 | +51 | +60 | +70 | +79  | +88  | +105 |
| -1540        | -740  | -1540        | -740  | -199 | -129 | -70 | -79  | -35 | -44 | -20 | -29 | -46 | -72 | -115 | -185 | +10   | +14.5 | -13   | +7 | +16 | +24 | +33 | +37 | +46 | +51 | +60 | +70 | +79  | +88  | +105 |
| -920         | -300  | -920         | -300  | -190 | -110 | -56 | -56  | -17 | -17 | 0   | 0   | 0   | 0   | 0    | 0    | +11.5 | +16   | -16   | +7 | +16 | +27 | +36 | +43 | +52 | +57 | +66 | +79 | +88  | +94  | +108 |
| -1730        | -820  | -1730        | -820  | -222 | -142 | -79 | -88  | -40 | -49 | -23 | -32 | -52 | -81 | -130 | -210 | +11.5 | +16   | -16   | +7 | +16 | +27 | +36 | +43 | +52 | +57 | +66 | +79 | +88  | +94  | +108 |
| -1860        | -850  | -1860        | -850  | -246 | -161 | -87 | -98  | -43 | -54 | -25 | -36 | -57 | -89 | -140 | -230 | +18   | +18   | -18   | +7 | +18 | +29 | +40 | +46 | +57 | +62 | +73 | +87 | +98  | +108 | +126 |
| -1200        | -360  | -1200        | -360  | -210 | -125 | -62 | -62  | -18 | -18 | 0   | 0   | 0   | 0   | 0    | 0    | +12.5 | +18   | -18   | +7 | +18 | +29 | +40 | +46 | +57 | +62 | +73 | +87 | +98  | +108 | +126 |
| -2090        | -930  | -2090        | -930  | -246 | -161 | -87 | -98  | -43 | -54 | -25 | -36 | -57 | -89 | -140 | -230 | +18   | +18   | -18   | +7 | +18 | +29 | +40 | +46 | +57 | +62 | +73 | +87 | +98  | +108 | +126 |
| -1350        | -400  | -1350        | -400  | -246 | -161 | -87 | -98  | -43 | -54 | -25 | -36 | -57 | -89 | -140 | -230 | +18   | +18   | -18   | +7 | +18 | +29 | +40 | +46 | +57 | +62 | +73 | +87 | +98  | +108 | +126 |
| -2240        | -970  | -2240        | -970  | -270 | -175 | -95 | -108 | -47 | -60 | -27 | -40 | -63 | -97 | -155 | -250 | +20   | +20   | -20   | +7 | +20 | +32 | +45 | +50 | +63 | +67 | +80 | +95 | +108 | +126 | +152 |
| -1500        | -440  | -1500        | -440  | -230 | -135 | -68 | -68  | -20 | -20 | 0   | 0   | 0   | 0   | 0    | 0    | +13.5 | +20   | -20   | +7 | +20 | +32 | +45 | +50 | +63 | +67 | +80 | +95 | +108 | +126 | +152 |
| -1650        | -480  | -1650        | -480  | -270 | -175 | -95 | -108 | -47 | -60 | -27 | -40 | -63 | -97 | -155 | -250 | +20   | +20   | -20   | +7 | +20 | +32 | +45 | +50 | +63 | +67 | +80 | +95 | +108 | +126 | +152 |
| -2620        | -1110 | -2620        | -1110 | -270 | -175 | -95 | -108 | -47 | -60 | -27 | -40 | -63 | -97 | -155 | -250 | +20   | +20   | -20   | +7 | +20 | +32 | +45 | +50 | +63 | +67 | +80 | +95 | +108 | +126 | +152 |

# 線性滑軌

